

TECHNICAL DATA SHEET

UPM Betula

ECF Bleached Birch Kraft Pulp

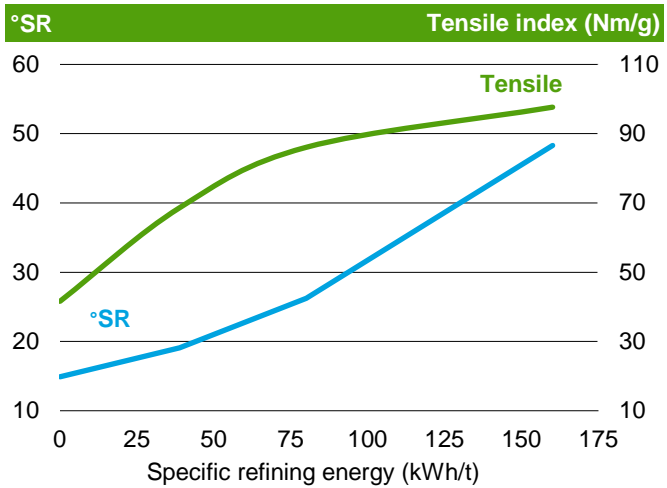
Date of issue: 24.11.2020

Pulp mill: UPM Kaukas

PULP CHARACTERISTICS

	Typical value	Spec
Brightness, ISO % ISO 2470-1	89	≥ 88
Impurities, mm ² /kg ISO 5350-2	4	
Extractives, % SCAN-CM 49:93	0,2	≤ 0,4
Ash content, % ISO 1762	0,4	≤ 0,7
pH 6388-2	5,7	5,0-7,0

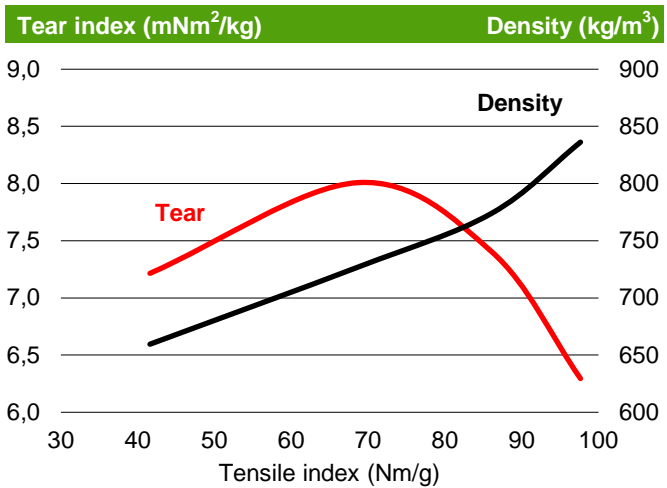
REFINABILITY



FIBRE CHARACTERISTICS

	Typical value
Fibre length, mm Metso FS5	1,07
Coarseness, mg/m Metso FS5	0,08

TEAR AND DENSITY AT TENSILE



RAW MATERIAL

Hardwood

Birch, Aspen and Sawdust

Specific Refining Energy	CSF	SR number	Tensile index	Stiffness index	Tear index	Scott Bond	Density	Opacity	Air res.
kWh/t	ml		Nm/g	kNm/g	mNm ² /g	J/m ²	kg/m ³	%	s
0	617	15	42	6,2	7,2	163	660	73,0	2,7
39	552	19	69	7,9	8,0	352	727	69,1	5,7
80	430	26	86	8,8	7,4	621	774	66,5	24
160	221	48	98	9,5	6,3	1333	836	61,7	559
13	596	16	50	6,7	7,5	222	680	71,8	4
42	542	20	70	8,0	8,0	374	731	68,9	7
107	359	34	90	9,1	7,0	863	795	64,8	206
44	537	20	71	8,0	7,9	386	733	68,7	8
75	442	25	85	8,8	7,5	581	770	66,8	-6
94	394	30	88	8,9	7,2	742	785	65,7	115

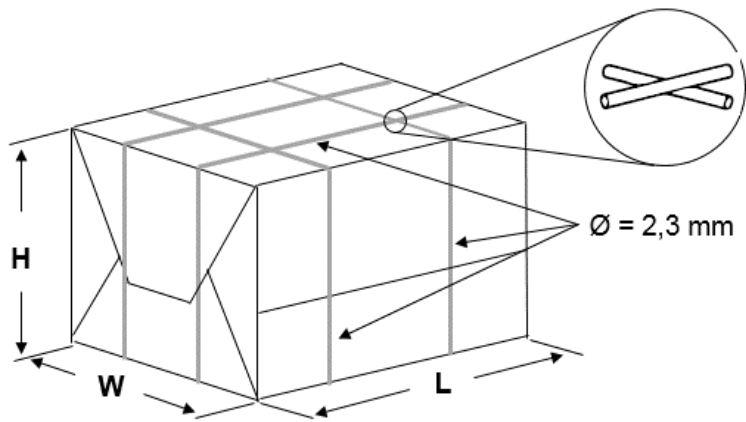
Typical values are averages from all mill quality control samples during 2019-2020. They are given in good faith to represent mill performance and do not constitute contractual undertaking. Values in the table are mean (indicative) values from pulp testing with Voith-Sulzer refining, using standard water. Specific Edge Load 0,5 J/m, ISO testing methods (H 50%, 23 °C, 60 gr/m² sheets).

UPM Betula Kaukas

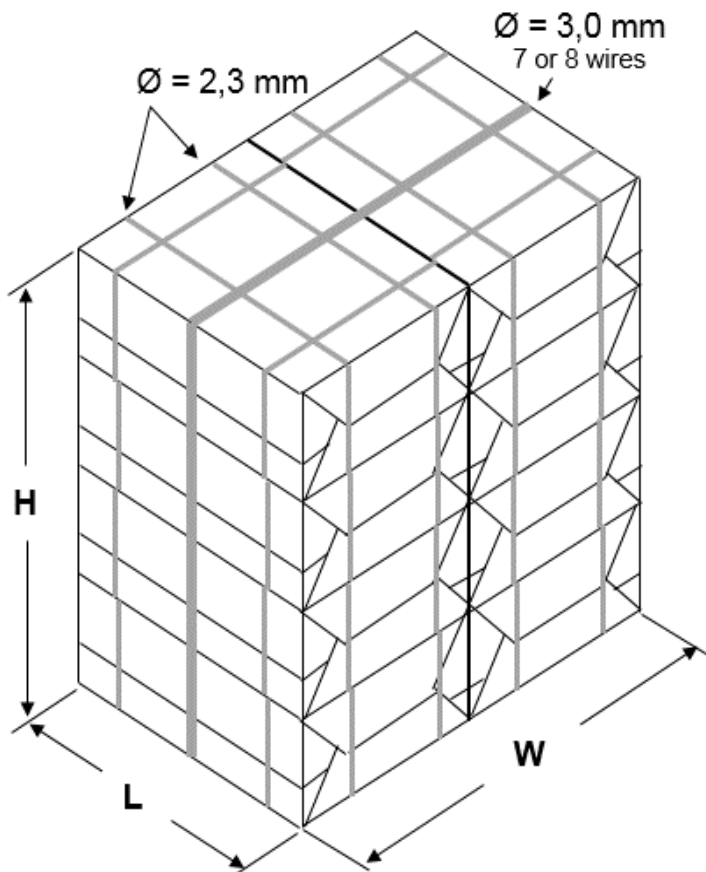
Bale marking

UPM Betula		
6 A	71835	
Mill No	Product	Lot No

Standard bale



Standard bale unit configuration



Sheets

Size:	85 x 70 cm
Grammage:	850 g/m ²

Standard bale

Size:	L = 89 cm
	W = 73 cm
	H = 43,5 cm

Weight: 250 kg

Wrapping: Pulp sheets (unwrapped on demand)

Markings: Red watersoluble inkjet printing.
Country, company name, product code and bale number on both sides.

Wires: 4 galvanized wires, diameter 2,3 mm.

Standard bale unit configuration

Standard bale units

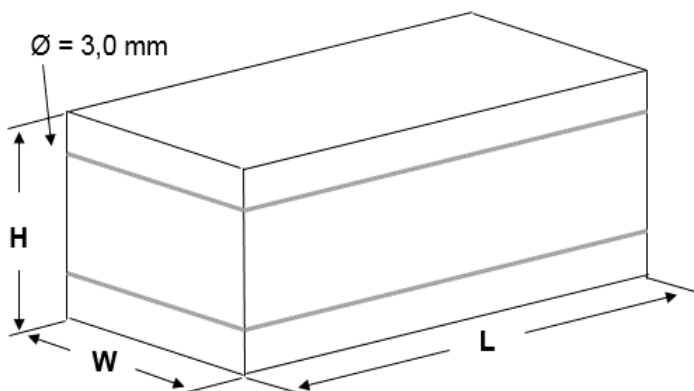
Size:	L = 89 cm
	W = 146 cm
	H = 175cm

Weight: 2000 kg (8 x 250 kg)

Wires: Vessel 7 or 8 galvanized wires

UPM Betula Kaukas

Big bale



Sheets

Size:	85 x 70 cm
Grammage:	850 g/m ²

Big bale

Size:	L =	175 cm
	W =	87 cm
	H =	72cm

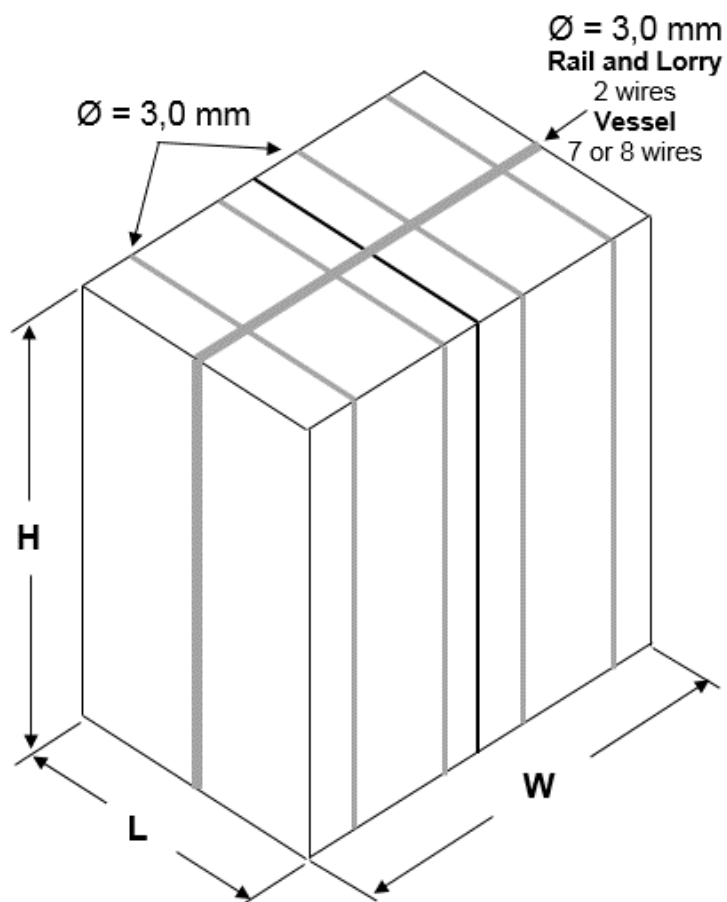
Weight: 1000 kg

Wrapping: No wrapping

Markings: Red watersoluble inkjet printing.
Country, company name, product code
and bale number on both
sides.

Wires: 2 galvanized wires,
diameter 3,0 mm

Big bale unit configuration



Big bale unit configuration

Big bale units

Size:	L =	87 cm
	W =	144 cm
	H =	175cm

Weight: 2000 kg (2 x 1000 kg)

Wires: Vessel 7 or 8 galvanized
wires, Rail and Lorry 2 wires
diameter 3,0 mm

UPM-Kymmene Corporation

Alvar Aallon katu 1
PO Box 380
FI-00101 Helsinki, Finland

Contact information:

Tom Hultholm Senior Product Manager , tel. +358 400 589 529
tom.hultholm@upm.com
www.upmpulp.com