

TECHNICAL DATA SHEET

UPM Betula

ECF Bleached Birch Kraft Pulp

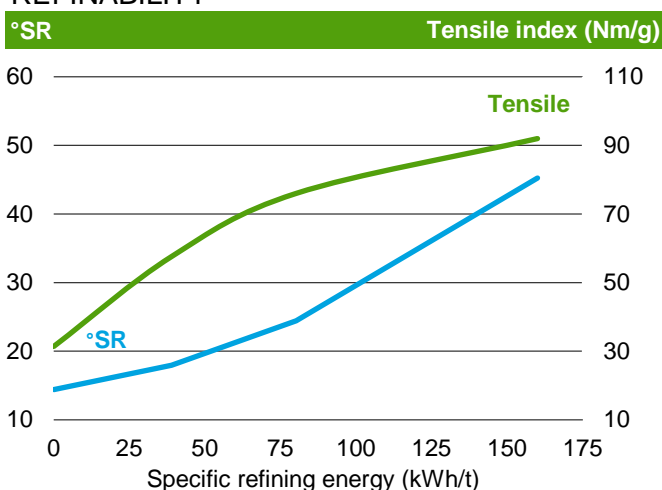
Pulp mill: UPM Kymi

Date of issue: 24.11.2020

PULP CHARACTERISTICS

	Typical value	Spec
Brightness, ISO % ISO 2470-1	90	≥ 88
Impurities, mm ² /kg ISO 5350-2	2	
Extractives, % SCAN-CM 49:93	0,2	≤ 0,4
Ash content, % ISO 1762	0,3	≤ 0,7
pH 6388-2	5,9	5,0-7,0

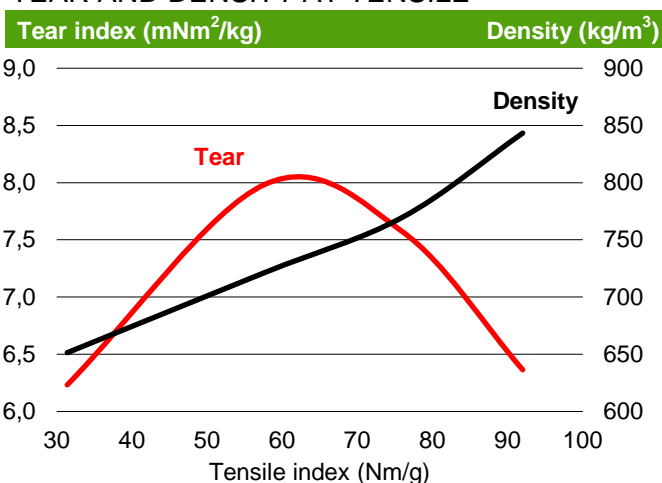
REFINABILITY



FIBRE CHARACTERISTICS

	Typical value
Fibre length, mm Metso FS5	1,05
Coarseness, mg/m Metso FS5	0,08

TEAR AND DENSITY AT TENSILE



RAW MATERIAL

Hardwood

Birch, Aspen and Sawdust

Specific Refining Energy	CSF	SR number	Tensile index	Stiffness index	Tear index	Scott Bond	Density	Opacity	Air res.
kWh/t	ml		Nm/g	kNm/g	mNm ² /g	J/m ²	kg/m ³	%	s
0	645	14	31	5,2	6,2	140	651	74,1	2,1
39	572	18	58	7,1	8,0	315	721	70,1	4,0
80	453	24	76	8,1	7,6	582	770	67,6	16
160	224	45	92	9,1	6,4	1320	843	62,7	455
28	593	17	50	6,5	7,5	264	701	71,2	3,5
67	492	22	70	7,8	7,7	495	754	68,4	12
150	252	43	90	9,0	6,5	1228	834	63,4	400
52	535	20	63	7,4	7,9	399	737	69,3	8
82	447	25	76	8,1	7,5	601	772	67,5	28
101	392	30	80	8,4	7,2	779	789	66,3	133

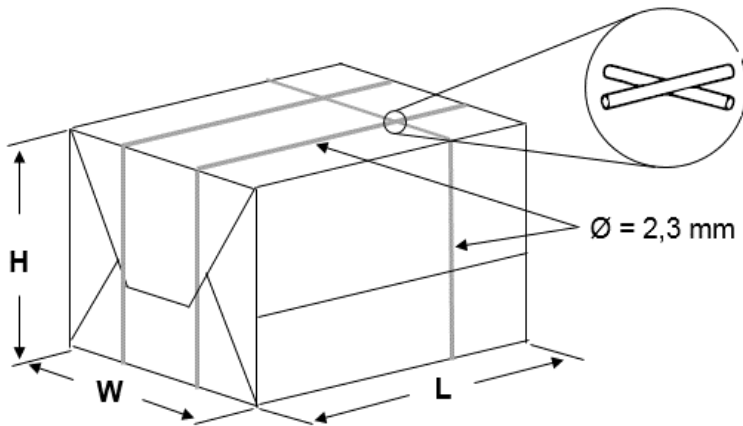
Typical values are averages from all mill quality control samples during 2019-2020. They are given in good faith to represent mill performance and do not constitute contractual undertaking. Values in the table are mean (indicative) values from pulp testing with Voith-Sulzer refining, using standard water. Specific Edge Load 0,5 J/m, ISO testing methods (H 50%, 23 °C, 60 gr/m² sheets).

UPM Betula Kymi

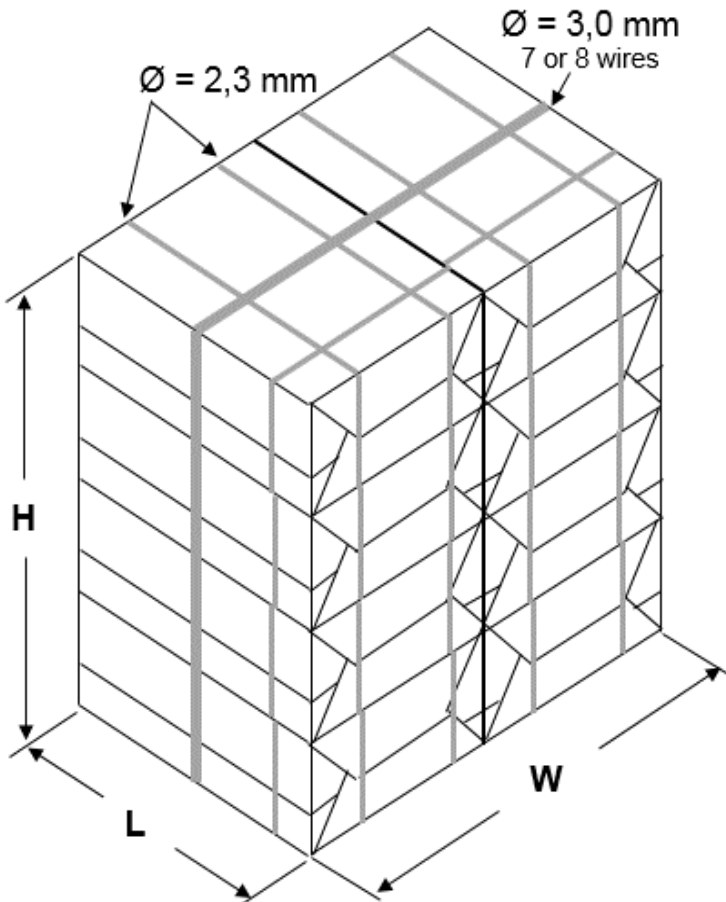
Bale marking

UPM Betula		BHKP
5 E	54504	FIN
Mill No	Product	Lot No

Standard bale



Standard bale unit configuration



Sheets

Size:	85 x 70 cm
Grammage:	1100 g/m ²

Standard bale

Size:	L = 89 cm
	W = 73 cm
	H = 43,5 cm

Weight: 250 kg

Wrapping: Pulp sheets (unwrapped on demand)

Markings: Red watersoluble inkjet printing.
Country, company name, product code and bale number on both sides.

Wires: 3 galvanized wires,
diameter 2,3 mm.

Standard bale unit configuration

Standard bale units

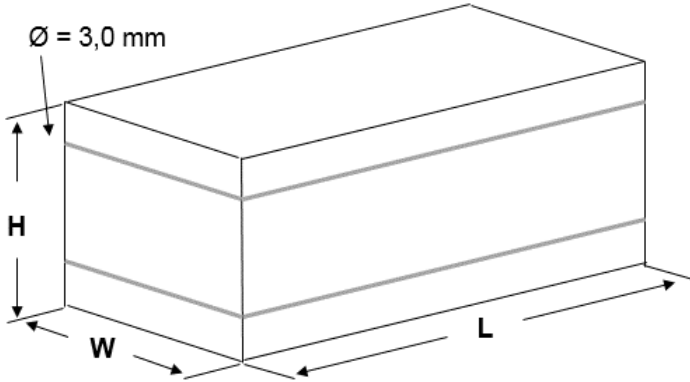
Size:	L = 89 cm
	W = 146 cm
	H = 175 cm

Weight: 2000 kg (8 x 250 kg)

Wires: 7 or 8 galvanized wires,
diameter 3,0 mm

UPM Betula Kymi

Big bale



Sheets

Size:	85 x 70 cm
Grammage:	1100 g/m ²

Big bale

Size:	L =	175 cm
	W =	87 cm
	H =	72 cm

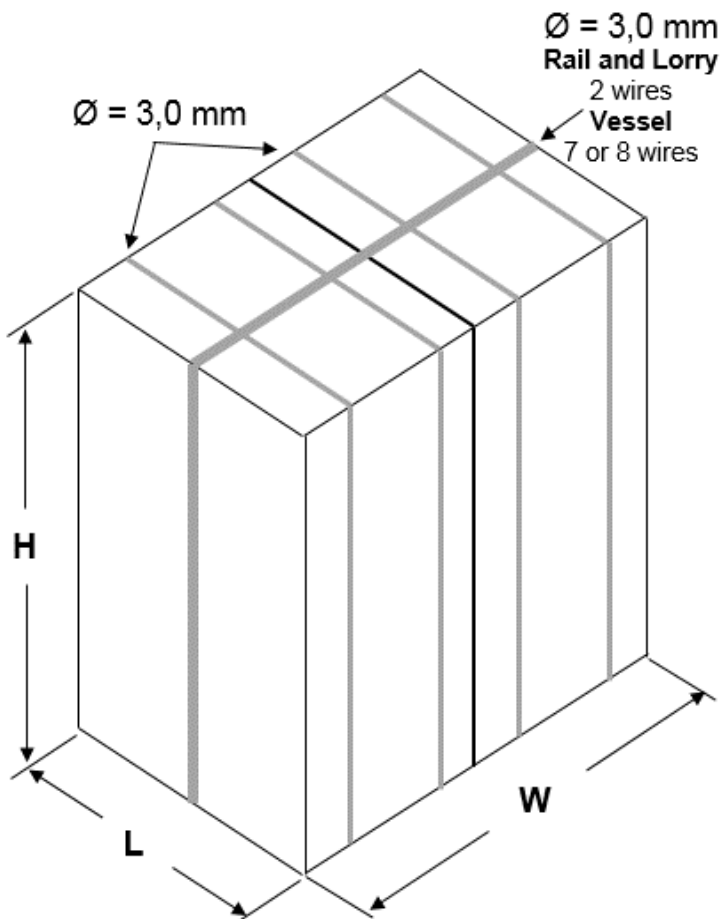
Weight: 1000 kg

Wrapping: No wrapping

Markings: Red watersoluble inkjet printing.
Country, company name, product code
and bale number on both
sides.

Wires: 2 galvanized wires,
diameter 3,0 mm

Big bale unit configuration



Big bale unit configuration

Big bale units

Size:	L =	87 cm
	W =	144 cm
	H =	175 cm

Weight: 2000 kg (2 x 1000 kg)

Wires: Vessel 7 or 8 galvanized
wires, Rail and Lorry 2 wires
diameter 3,0 mm

UPM-Kymmene Corporation

Alvar Aallon katu 1
PO Box 380
FI-00101 Helsinki, Finland

Contact information:

Tom Hultholm Senior Product Manager , tel. +358 400 589 529
tom.hultholm@upm.com
www.upmpulp.com