

# TECHNICAL DATA SHEET

## UPM Conifer

ECF Bleached Northern Softwood Kraft Pulp

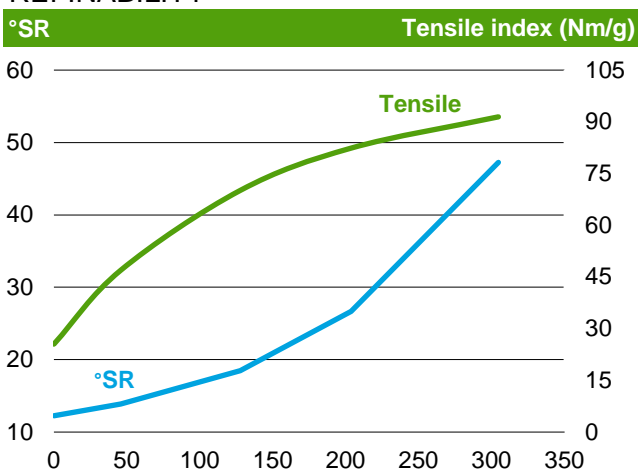
Date of issue: 26.11.2020

Pulp mill: UPM Kaukas

### PULP CHARACTERISTICS

	Typical value	Spec
Brightness, ISO % ISO 2470-1	89	≥ 88
Impurities, mm <sup>2</sup> /kg ISO 5350-2	3	
Extractives, % SCAN-CM 49:93	0,04	≤ 0,15
Ash content, % ISO 1762	0,14	≤ 0,2
pH 6388-2	5,7	5,0-7,0

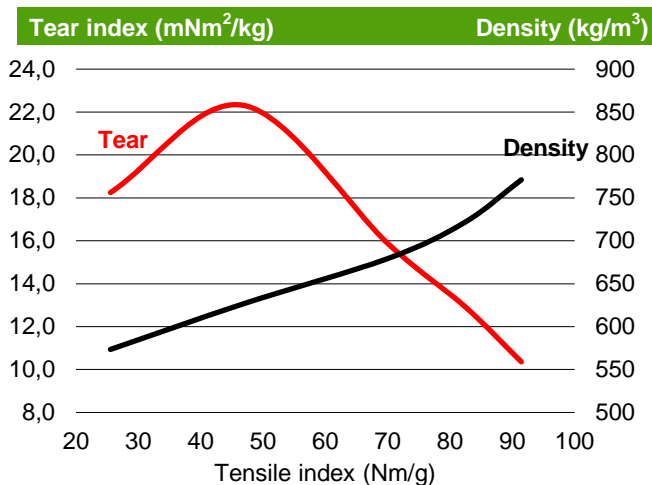
### REFINABILITY



### FIBRE CHARACTERISTICS

	Typical value
Fibre length, mm Metso FS5	2,20
Coarseness, mg/m Metso FS5	0,15

### TEAR AND DENSITY AT TENSILE



### RAW MATERIAL

#### Softwood

Pine (*Pinus Silvestris*), Spruce (*Picea Abies*)

Specific Refining Energy	CSF	SR number	Tensile index	Stiffness index	Tear index	Scott Bond	Density	Opacity	Air res.
kWh/t	ml		Nm/g	kNm/g	mNm <sup>2</sup> /g	J/m <sup>2</sup>	kg/m <sup>3</sup>	%	s
0	718	12	26	3,7	18,2	113	573	71,6	1,3
46	691	14	47	5,6	22,3	208	627	67,7	1,4
128	581	19	70	7,3	15,9	385	679	64,2	4
204	428	27	82	8,2	12,9	670	721	62,1	27
305	233	47	91	9,0	10,4	1070	771	59,7	654
57	676	14	50	5,8	21,5	232	634	67,2	1,7
127	581	18	70	7,3	15,9	385	679	64,2	4
289	264	44	90	8,8	10,8	1007	763	60,1	555
154	545	20	78	7,8	13,8	443	697	63,1	4,4
243	426	25	103	9,6	6,8	634	754	59,4	7
234	366	30	87	8,5	11,8	785	738	61,2	36

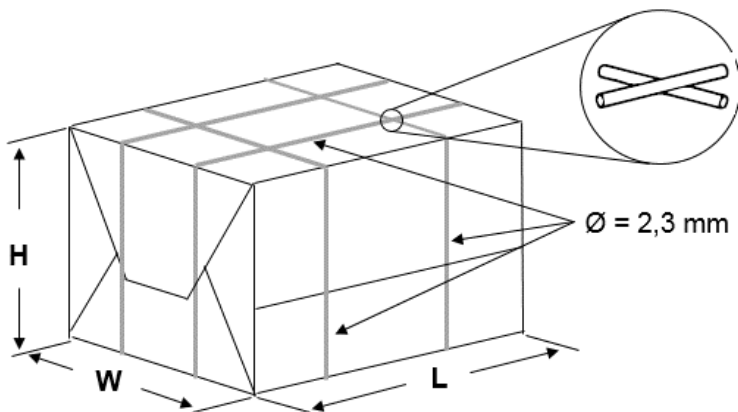
Typical values are averages from all mill quality control samples during 2019-2020. They are given in good faith to represent mill performance and do not constitute contractual undertaking. Values in the table are mean (indicative) values from pulp testing with Voith-Sulzer refining, using standard water. Specific Edge Load 2,5 J/m, ISO testing methods (H 50%, 23 °C, 60 gr/m<sup>2</sup> sheets).

## UPM Conifer

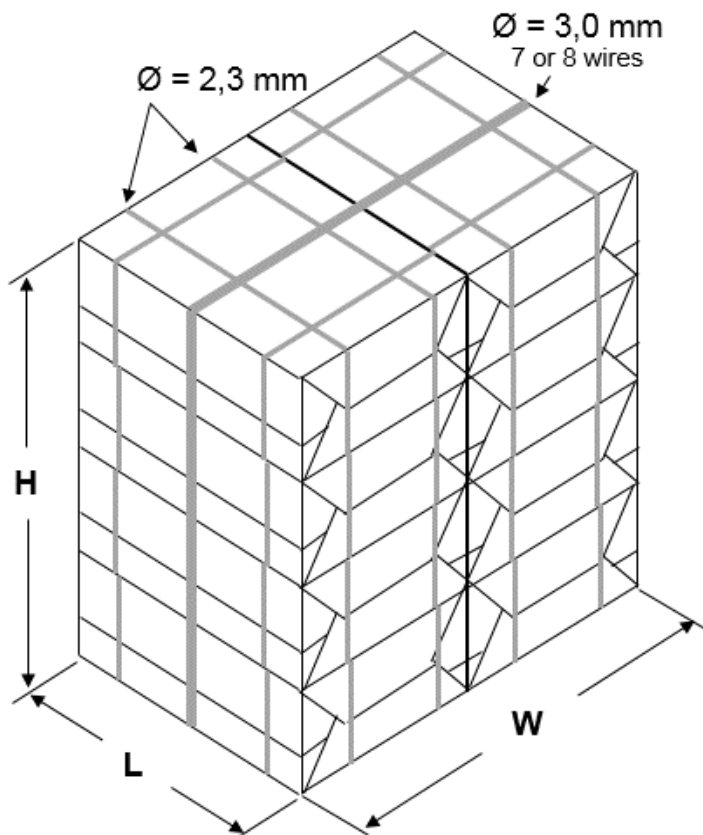
### Bale marking

UPM Conifer		
6 X	54504	
Mill No	Product	Lot No

### Standard bale



### Standard bale unit configuration



### Sheets

**Size:** 85 x 70 cm

**Grammage:** 1000 g/m<sup>2</sup>

### Standard bale

**Size:** L = 89 cm

W = 73 cm

H = 43,5 cm

**Weight:** 250 kg

**Wrapping:** Pulp sheets (unwrapped on demand)

**Markings:** Blue watersoluble inkjet printing. Country, company name, product code and bale number on both sides.

**Wires:** 4 galvanized wires, diameter 2,3 mm.

### Standard bale unit configuration

#### Standard bale units

**Size:** L = 89 cm

W = 146 cm

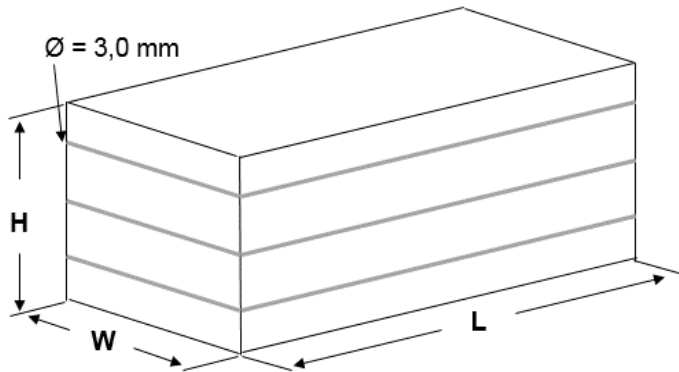
H = 175 cm

**Weight:** 2000 kg (8 x 250 kg)

**Wires:** 7 or 8 galvanized wires, diameter 3,0 mm

## UPM Conifer

### Big bale



#### Sheets

<b>Size:</b>	85 x 70 cm
<b>Grammage:</b>	1000 g/m <sup>2</sup>

#### Big bale

<b>Size:</b>	L =	175 cm
	W =	87 cm
	H =	72cm

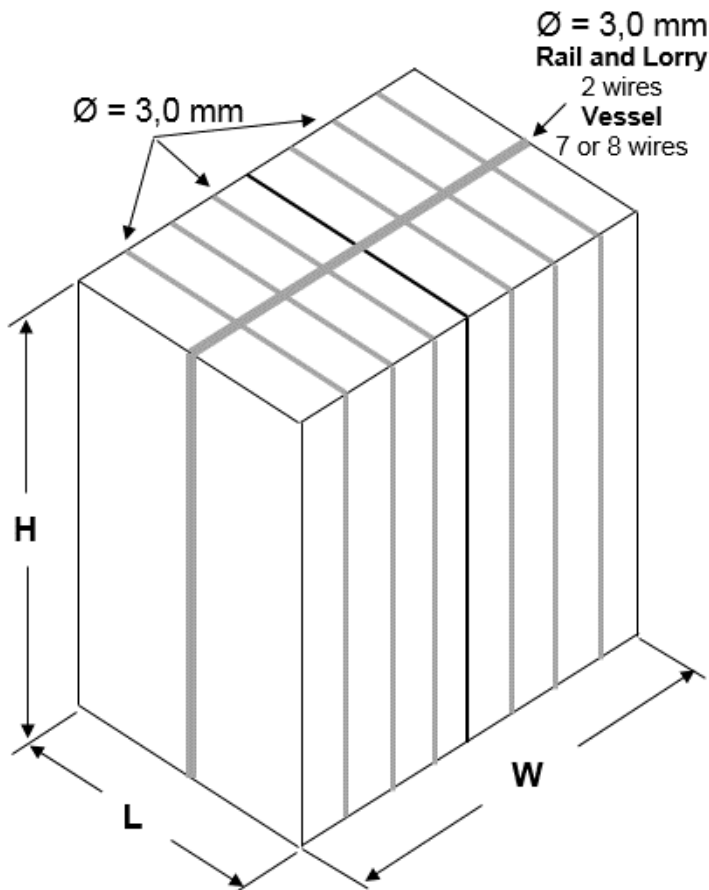
**Weight:** 1000 kg

**Wrapping:** No wrapping

**Markings:** BLUE watersoluble inkjet printing.  
Country, company name, product code and bale number on both sides.

**Wires:** 2 galvanized wires,  
diameter 3,0 mm

### Big bale unit configuration



#### Big bale unit configuration

##### Big bale units

<b>Size:</b>	L =	87 cm
	W =	144 cm
	H =	175cm

**Weight:** 2000 kg (2 x 1000 kg)

**Wires:** Vessel 7 or 8 galvanized wires, Rail and Lorry 2 wires  
diameter 3,0 mm

### UPM-Kymmene Corporation

Alvar Aallon katu 1  
PO Box 380  
FI-00101 Helsinki, Finland

### Contact information:

Tom Hultholm Senior Product Manager, tel. +358 400 589 529  
tom.hultholm@upm.com  
www.upmpulp.com