

TECHNICAL DATA SHEET

UPM Conifer Reinforcement

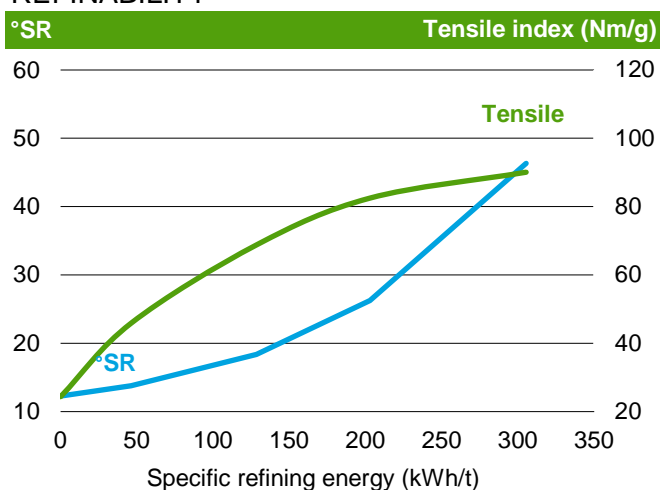
ECF Bleached Northern Softwood Kraft Pulp
Pulp mill: UPM Kaukas

Date of issue: 24.11.2020

PULP CHARACTERISTICS

	Typical value	Spec
Brightness, ISO % ISO 2470-1	88	≥ 86
Impurities, mm ² /kg ISO 5350-2	4	
Extractives, % SCAN-CM 49:93	0,05	≤ 0,15
Ash content, % ISO 1762	0,2	≤ 0,2
pH 6388-2	5,6	5,0-7,0

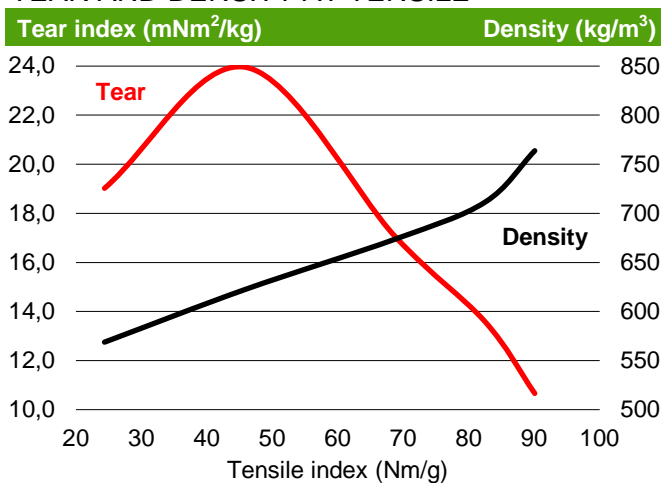
REFINABILITY



FIBRE CHARACTERISTICS

	Typical value
Fibre length, mm Metso FS5	2,30
Coarseness, mg/m Metso FS5	0,16

TEAR AND DENSITY AT TENSILE



RAW MATERIAL

Softwood

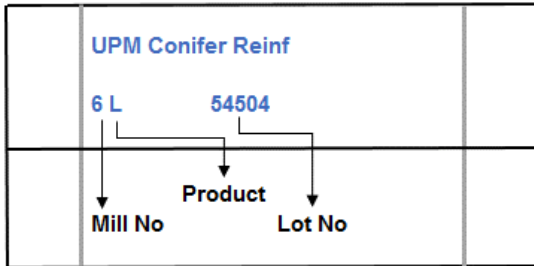
Pine (*Pinus Silvestris*), Spruce (*Picea Abies*)

Specific Refining Energy	CSF	SR number	Tensile index	Stiffness index	Tear index	Scott Bond	Density	Opacity	Air res.
kWh/t	ml		Nm/g	kNm/g	mNm ² /g	J/m ²	kg/m ³	%	s
0	724	12	24	3,7	19,0	110	569	70,9	1,3
46	692	14	46	5,7	24,0	216	623	67,9	1,4
129	590	18	69	7,3	17,0	352	674	64,3	3,9
203	437	26	82	8,3	13,6	537	711	62,7	24
305	236	46	90	8,9	10,7	866	764	60,5	496
55	686	14	50	6,0	24,9	236	633	67,3	1,5
133	585	19	70	7,4	16,7	359	677	64,1	4
304	238	46	90	8,9	10,7	862	763	60,6	491
144	559	20	72	7,5	16,3	389	682	64,0	8
191	462	25	80	8,1	14,1	507	705	63,0	21
222	399	30	84	8,4	13,0	598	721	62,3	112

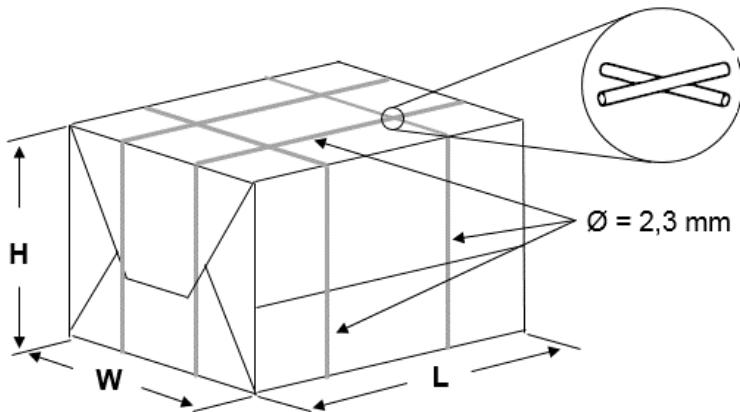
Typical values are averages from all mill quality control samples during 2019-2020. They are given in good faith to represent mill performance and do not constitute contractual undertaking. Values in the table are mean (indicative) values from pulp testing with Voith-Sulzer refining, using standard water. Specific Edge Load 2,5 J/m, ISO testing methods (H 50%, 23 °C, 60 gr/m² sheets).

UPM Conifer Reinforcement

Bale marking



Standard bale



Sheets

Size: 85 x 70 cm

Grammage: 1000 g/m²

Standard bale

Size: L = 89 cm

W = 73 cm

H = 43,5 cm

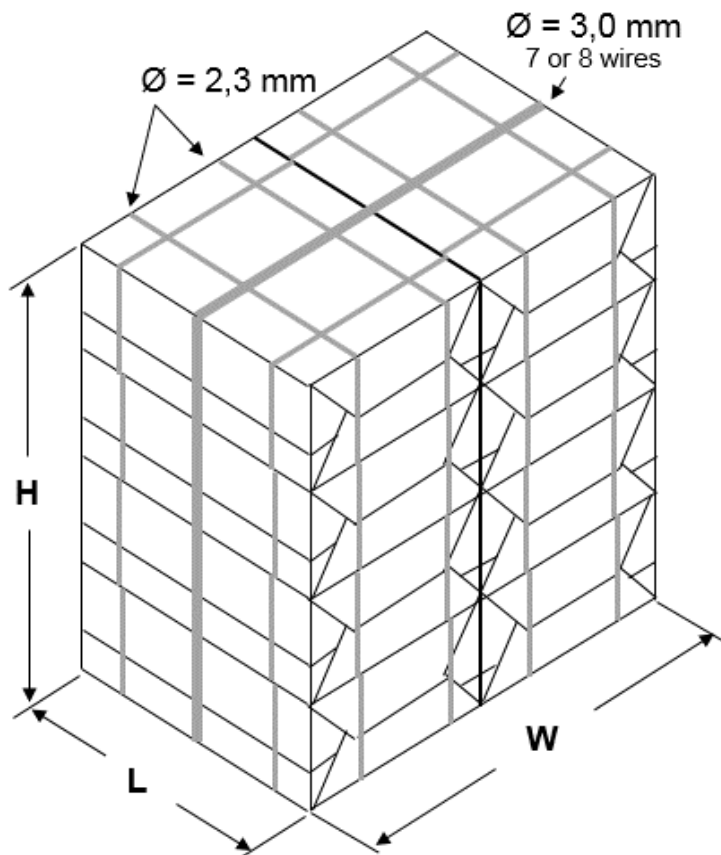
Weight: 250 kg

Wrapping: Pulp sheets (unwrapped on demand)

Markings: Blue watersoluble inkjet printing.
Country, company name, product code and bale number on both sides.

Wires: 4 galvanized wires,
diameter 2,3 mm.

Standard bale unit configuration



Standard bale unit configuration

Standard bale units

Size: L = 89 cm

W = 146 cm

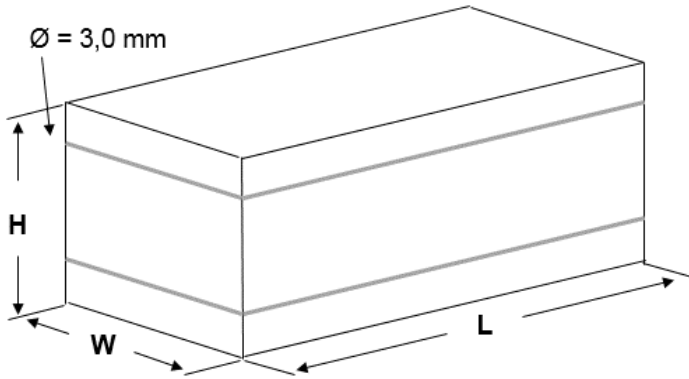
H = 175cm

Weight: 2000 kg (8 x 250 kg)

Wires: 7 or 8 galvanized wires,
diameter 3,0 mm

UPM Conifer Reinforcement

Big bale



Sheets

Size:	85 x 70 cm
Grammage:	1000 g/m ²

Big bale

Size:	L =	175 cm
	W =	87 cm
	H =	72cm

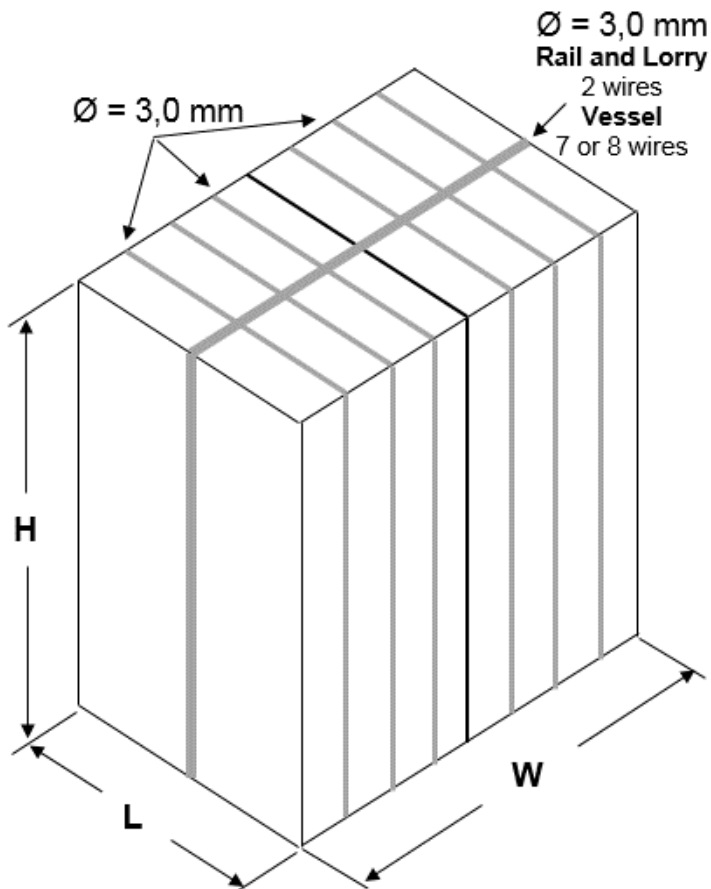
Weight: 1000 kg

Wrapping: No wrapping

Markings: BLUE watersoluble inkjet printing.
Country, company name, product code and bale number on both sides.

Wires: 2 galvanized wires,
diameter 3,0 mm

Big bale unit configuration



Big bale unit configuration

Big bale units

Size:	L =	87 cm
	W =	144 cm
	H =	175cm

Weight: 2000 kg (2 x 1000 kg)

Wires: Vessel 7 or 8 galvanized wires, Rail and Lorry 2 wires
diameter 3,0 mm

UPM-Kymmene Corporation

Alvar Aallon katu 1
PO Box 380
FI-00101 Helsinki, Finland

Contact information:

Tom Hultholm Senior Product Manager, tel. +358 400 589 529
tom.hultholm@upm.com
www.upmpulp.com