

TECHNICAL DATA SHEET

UPM Conifer Thin

ECF Bleached Northern Softwood Kraft Pulp

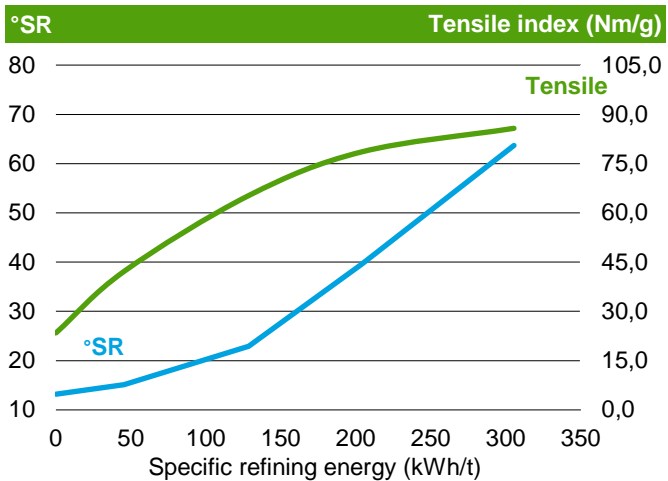
Date of issue: 24.11.2020

Pulp mill: UPM Pietarsaari

PULP CHARACTERISTICS

	Typical value	Spec
Brightness, ISO % ISO 2470-1	89	≥ 88
Impurities, mm ² /kg ISO 5350-2	2	
Extractives, % SCAN-CM 49:93	0,05	≤ 0,15
Ash content, % ISO 1762	0,2	≤ 0,3
pH 6388-2	5,6	5,0-7,0

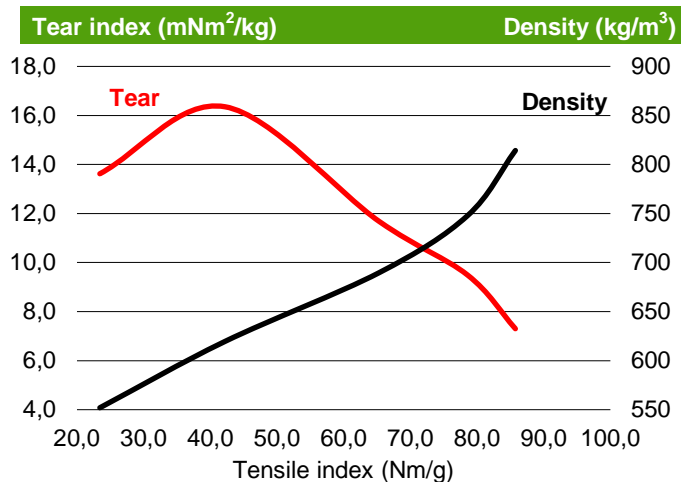
REFINABILITY



FIBRE CHARACTERISTICS

	Typical value
Fibre length, mm Metso FS5	1,92
Coarseness, mg/m Metso FS5	0,15

TEAR AND DENSITY AT TENSILE



RAW MATERIAL

Softwood

Pine (*Pinus Silvestris*), Spruce (*Picea Abies*)

Specific Refining Energy	CSF	SR number	Tensile index	Stiffness index	Tear index	Scott Bond	Density	Opacity	Air res.
kWh/t	ml		Nm/g	kNm/g	mNm ² /g	J/m ²	kg/m ³	%	s
0	698	13	23	3,7	13,6	169	552	73,7	1,4
46	662	15	42	5,4	16,4	237	620	70,0	1,7
129	498	23	65	7,1	11,7	544	690	65,8	7
204	307	40	79	8,2	9,5	848	748	63,3	105
305	116	64	86	8,8	7,3	1479	814	58,5	2829
74	606	18	50	6,0	14,8	341	643	68,6	3,6
146	464	25	70	7,4	10,7	607	704	64,9	9
365	2	78	90	9,1	6,0	1852	854	55,6	4442
97	559	20	57	6,5	13,4	429	663	67,3	5,3
151	454	25	71	7,5	10,5	625	708	64,7	9
160	417	30	71	7,6	10,8	673	714	64,7	49

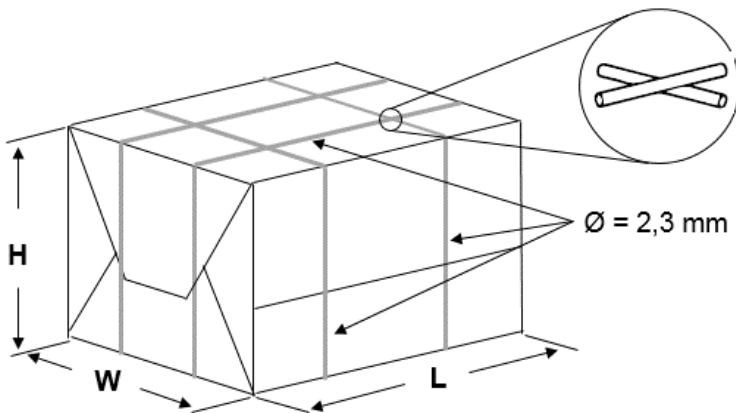
Typical values are averages from all mill quality control samples during 2019-2020. They are given in good faith to represent mill performance and do not constitute contractual undertaking. Values in the table are mean (indicative) values from pulp testing with Voith-Sulzer refining, using standard water. Specific Edge Load 2,5 J/m, ISO testing methods (H 50%, 23 °C, 60 gr/m² sheets).

UPM Conifer Thin

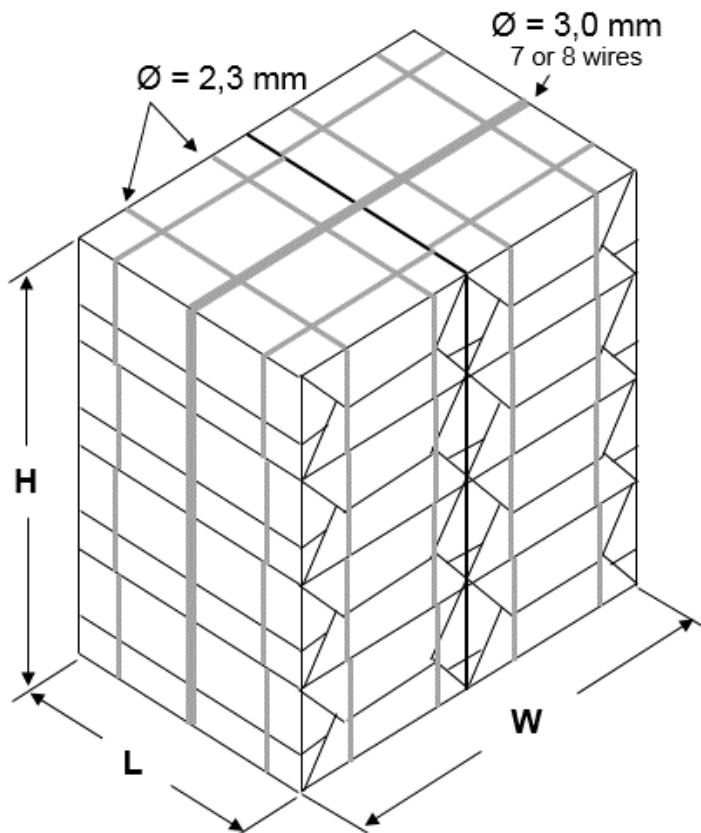
Bale marking

	UPM Conifer Thin	NBSK	
	8 P	54504	FIN
	↓ Mill No	↓ Product	↓ Lot No

Standard bale



Standard bale unit configuration



Sheets

Size: 84 x 73 cm

Grammage: 850 g/m²

Standard bale

Size: L = 88 cm

W = 76 cm

H = 40 cm

Weight: 250 kg

Wrapping: Pulp sheets (unwrapped on demand)

Markings: Blue watersoluble inkjet printing.
Country, company name, product code and bale number on both sides.

Wires: 4 galvanized wires,
diameter 2,3 mm.

Standard bale unit configuration

Standard bale units

Size: L = 88 cm

W = 152 cm

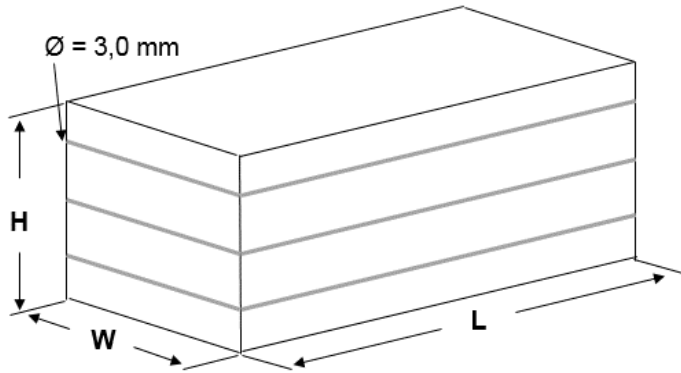
H = 160cm

Weight: 2000 kg (8 x 250 kg)

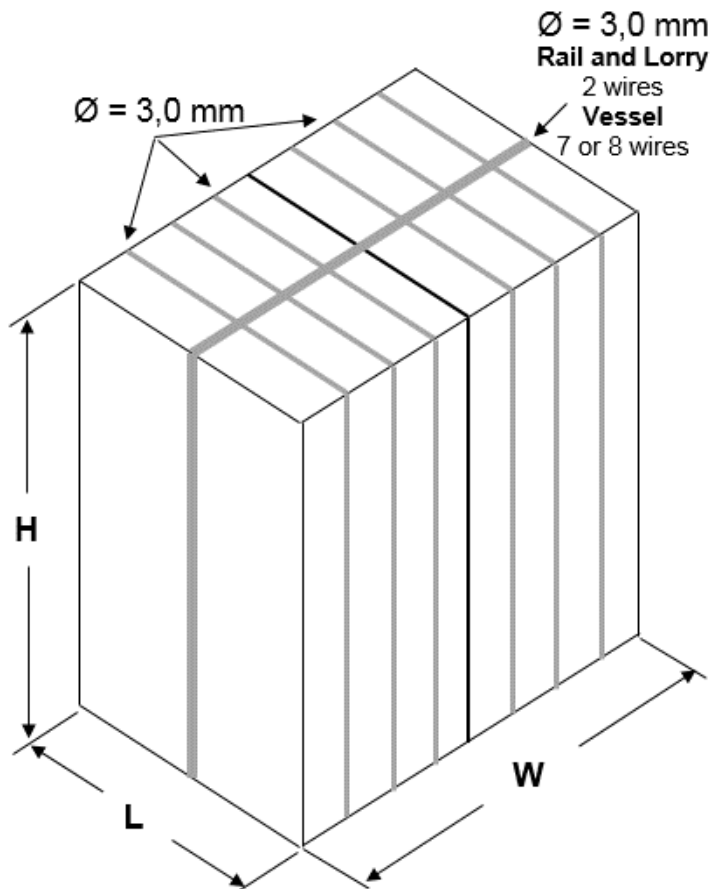
Wires: 7 or 8 galvanized wires,
diameter 3,0 mm

UPM Conifer Thin

Big bale



Big bale unit configuration



Sheets

Size:	84 x 73 cm
Grammage:	850 g/m ²

Big bale

Size:	L =	160 cm
	W =	86 cm
	H =	75cm

Weight: 1000 kg

Wrapping: No wrapping

Markings: Blue watersoluble inkjet printing.
Country, company name, product code
and bale number on both
sides.

Wires: 3 galvanized wires,
diameter 3,0 mm

Big bale unit configuration

Big bale units

Size:	L =	86 cm
	W =	150 cm
	H =	160cm

Weight: 2000 kg (2 x 1000 kg)

Wires: Vessel 7 or 8 galvanized
wires, Rail and Lorry 2 wires
diameter 3,0 mm

UPM-Kymmene Corporation

Alvar Aallon katu 1
PO Box 380
FI-00101 Helsinki, Finland

Contact information:

Tom Hultholm Senior Product Manager, tel. +358 400 589 529
tom.hultholm@upm.com
www.upmpulp.com