

TECHNICAL DATA SHEET

UPM Betula

ECF Bleached Birch Kraft Pulp

Pulp mill: UPM Kymi

Date of issue: 2.12.2021

PULP CHARACTERISTICS

	Typical value	Spec
Brightness, ISO % ISO 2470-1	90	≥ 88
Impurities, mm ² /kg ISO 5350-2	2	
Extractives, % ISO 14453	0,2	≤ 0,4
Ash content, % ISO 1762	0,3	≤ 0,6
pH ISO 6588-2	5,7	5,0-7,0

FIBRE CHARACTERISTICS

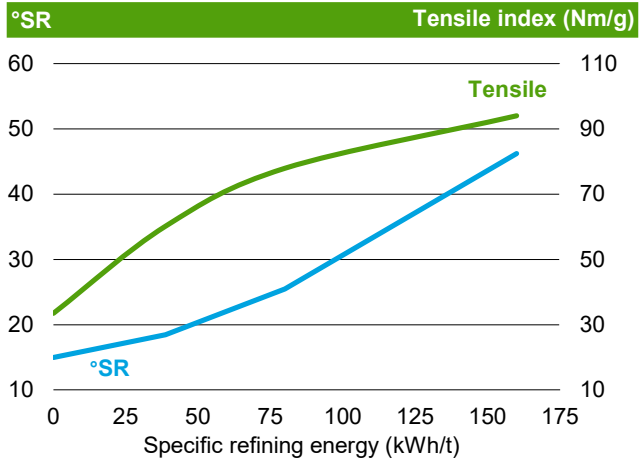
	Typical value
Fibre length, mm Metso FS5	1,05
Coarseness, mg/m Metso FS5	0,08

RAW MATERIAL

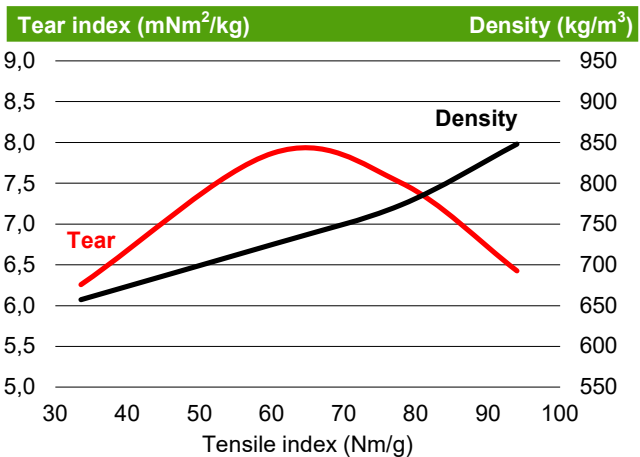
Hardwood

Birch, Aspen and Sawdust

REFINABILITY



TEAR AND DENSITY AT TENSILE



Specific Refining Energy	CSF	SR number	Tensile index	Stiffness index	Tear index	Scott Bond	Density	Opacity	Air res.
kWh/t	ml		Nm/g	kNm/g	mNm ² /g	J/m ²	kg/m ³	%	s
0	637	15	34	5,5	6,3	146	657	73,8	2,2
39	563	18	60	7,3	7,9	320	725	69,9	4,3
80	445	26	78	8,3	7,5	613	773	67,2	18
160	224	46	94	9,2	6,4	1396	848	62,5	546
24	590	17	50	6,7	7,2	255	701	71,4	3,5
62	496	22	70	7,9	7,7	482	753	68,4	12
135	292	40	90	9,0	6,8	1189	829	63,7	411
49	535	20	64	7,6	7,8	396	735	69,3	6
78	455	25	78	8,3	7,5	605	769	67,3	17
98	390	30	82	8,5	7,3	798	790	66,2	135

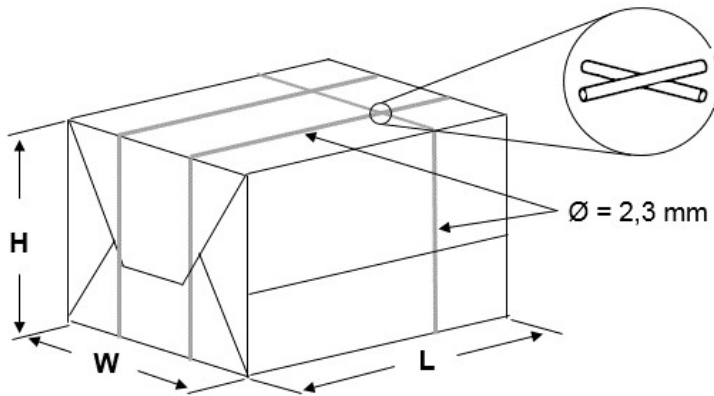
Typical values are averages from all mill quality control samples during H2 2020 - H1 2021. They are given in good faith to represent mill performance and do not constitute contractual undertaking. Values in the table are mean (indicative) values from pulp testing with Voith-Sulzer refining, using standard water. Specific Edge Load 0,5 J/m, ISO testing methods (H 50%, 23 °C, 60 gr/m² sheets).

UPM Betula Kymi

Bale marking

	UPM Betula	BHKP
	5 E	54504 - 001 FIN
	Mill No	Product Lot No

Standard bale



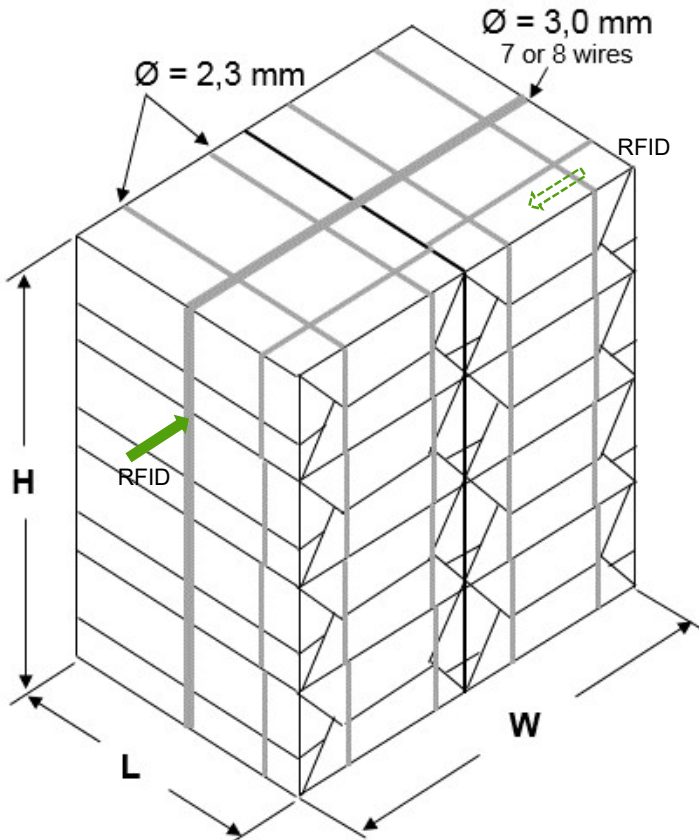
Sheets

Size:	85 x 70 cm
Grammage:	1100 g/m ²

Standard bale

Size:	L = 89 cm
	W = 73 cm
	H = 43,5 cm
Weight:	250 kg
Wrapping:	Pulp sheets (unwrapped on demand)
Markings:	Red watersoluble inkjet printing. Country, company name, product code and bale number on both sides.
Wires:	3 galvanized wires, diameter 2,3 mm.

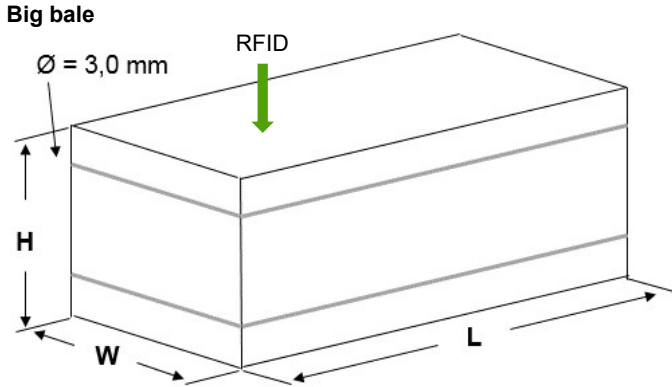
Standard bale unit configuration



Standard bale unit configuration

Standard bale units	
Size:	L = 89 cm
	W = 146 cm
	H = 175cm
Weight:	2000 kg (8 x 250 kg)
Wires:	7 or 8 galvanized wires, diameter 3,0 mm
RFID:	1 tag per ton of pulp (traceability)

UPM Betula Kymi



Sheets

Size:	85 x 70 cm
Grammage:	1100 g/m ²

Big bale

Size:	L =	175 cm
	W =	87 cm
	H =	72 cm

Weight: 1000 kg

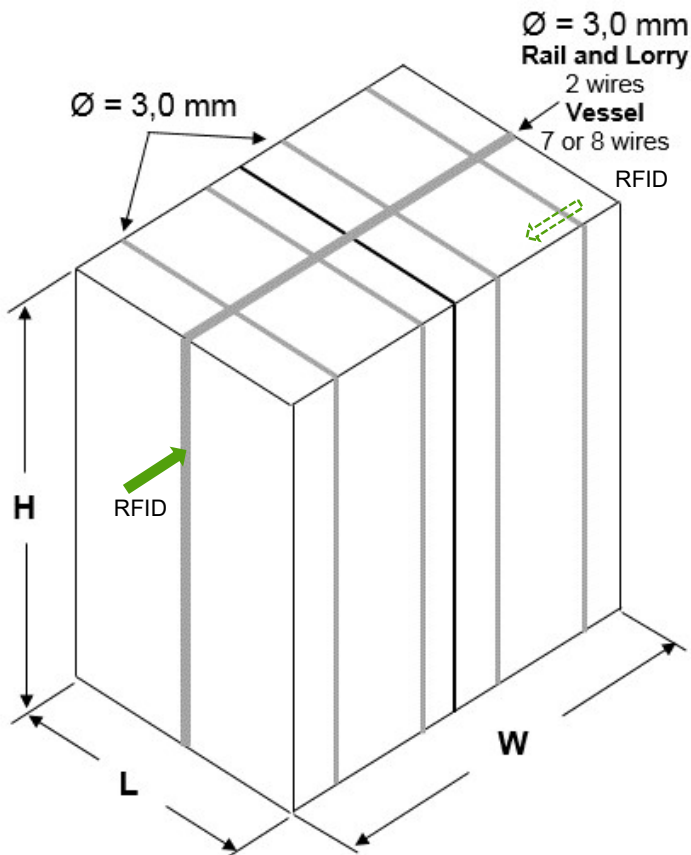
Wrapping: No wrapping

Markings: Red watersoluble inkjet printing.
Country, company name, product code and bale number on both sides.

Wires: 2 galvanized wires,
diameter 3,0 mm

RFID: 1 tag per ton of pulp (traceability)

Big bale unit configuration



Big bale unit configuration

Big bale units

Size:	L =	87 cm
	W =	144 cm
	H =	175 cm

Weight: 2000 kg (2 x 1000 kg)

Wires: Vessel 7 or 8 galvanized wires, Rail and Lorry 2 wires
diameter 3,0 mm

RFID: 1 tag per ton of pulp (traceability)

UPM-Kymmene Corporation

Alvar Aallon katu 1
PO Box 380
FI-00101 Helsinki, Finland

Contact information:

Tom Hultholm Senior Product Manager , tel. +358 400 589 529
tom.hultholm@upm.com
www.upmpulp.com