

TECHNICAL DATA SHEET

UPM Betula

ECF Bleached Birch Kraft Pulp

Pulp mill: UPM Pietarsaari

Date of issue: 2.12.2021

PULP CHARACTERISTICS

	Typical value	Spec
Brightness, ISO % ISO 2470-1	89	≥ 88
Impurities, mm ² /kg ISO 5350-2	2	
Extractives, % ISO 14453	0,2	≤ 0,4
Ash content, % ISO 1762	0,3	≤ 0,6
pH ISO 6588-2	5,7	5,0-7,0

FIBRE CHARACTERISTICS

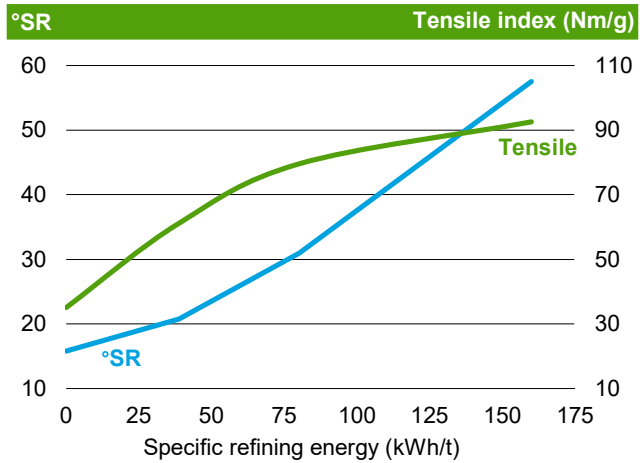
	Typical value
Fibre length, mm Metso FS5	1,04
Coarseness, mg/m Metso FS5	0,08

RAW MATERIAL

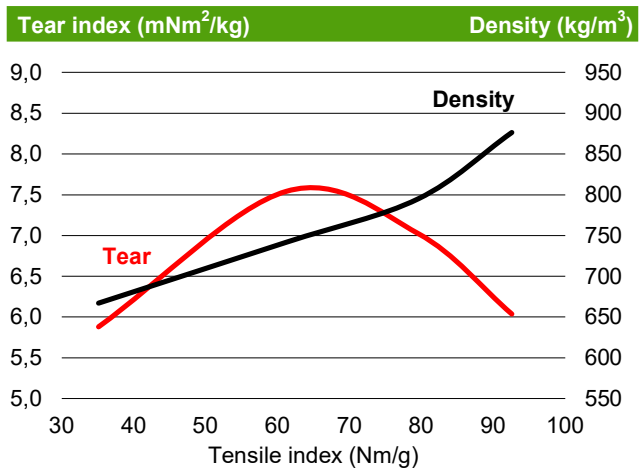
Hardwood

Birch, Aspen and Sawdust

REFINABILITY



TEAR AND DENSITY AT TENSILE



Specific Refining Energy	CSF	SR number	Tensile index	Stiffness index	Tear index	Scott Bond	Density	Opacity	Air res.
kWh/t	ml		Nm/g	kNm/g	mNm ² /g	J/m ²	kg/m ³	%	s
0	602	16	35	5,5	5,9	159	667	73,8	2,9
39	513	21	61	7,2	7,5	387	742	69,3	8
80	377	31	80	8,3	7,0	800	795	66,1	46
160	155	58	93	9,1	6,0	1695	876	59,4	2351
19	550	18	50	6,6	6,8	280	714	71,3	5,9
54	459	25	70	7,8	7,3	548	769	67,8	26
144	190	52	90	8,9	6,4	1255	844	62,2	1080
35	528	20	57	6,9	7,3	360	728	70,1	7,4
57	455	25	68	7,7	7,3	560	764	68,0	27
76	390	30	77	8,2	7,1	772	792	66,4	44

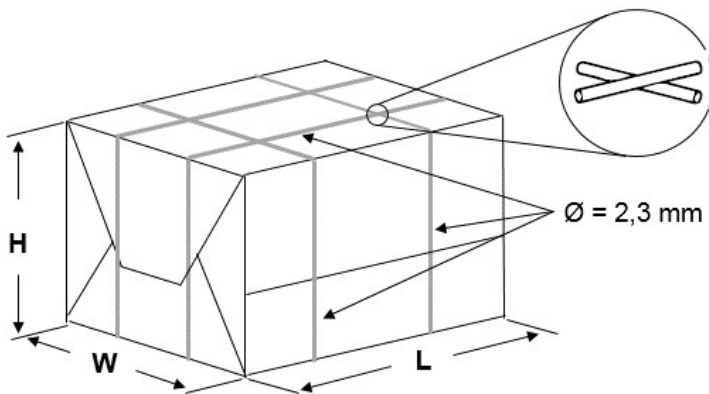
Typical values are averages from all mill quality control samples during H2 2020 - H1 2021. They are given in good faith to represent mill performance and do not constitute contractual undertaking. Values in the table are mean (indicative) values from pulp testing with Voith-Sulzer refining, using standard water. Specific Edge Load 0,5 J/m, ISO testing methods (H 50%, 23 °C, 60 gr/m² sheets).

UPM Betula Pietarsaari

Bale marking

	UPM Betula	BHKP	
	8 B	54504 - 001	FIN
	Mill No	Product	Lot No

Standard bale



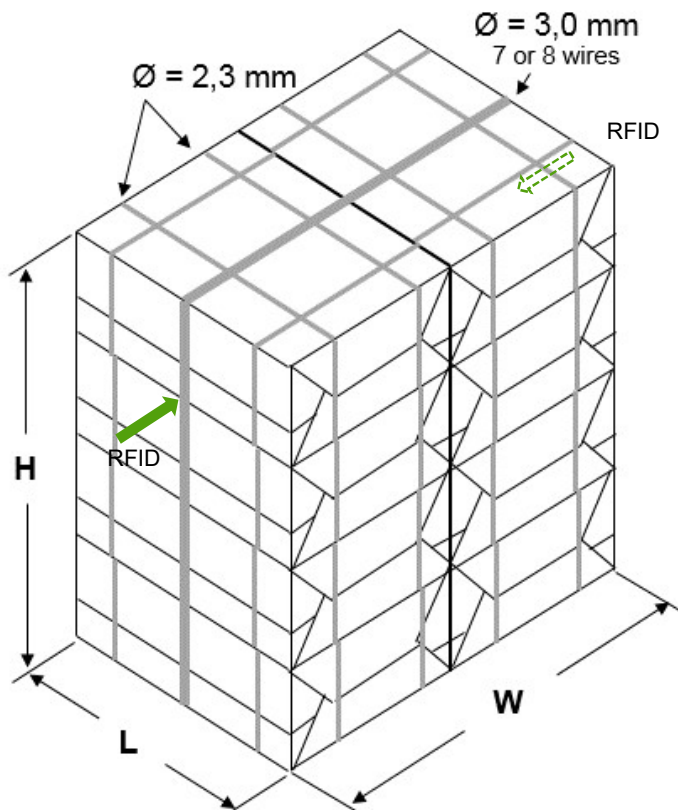
Sheets

Size:	84 x 73 cm
Grammage:	850 g/m ²

Standard bale

Size:	L = 88 cm
	W = 76 cm
	H = 40 cm
Weight:	250 kg
Wrapping:	Pulp sheets (unwrapped on demand)
Markings:	Red watersoluble inkjet printing. Country, company name, product code and bale number on both sides.
Wires:	4 galvanized wires, diameter 2,3 mm.

Standard bale unit configuration



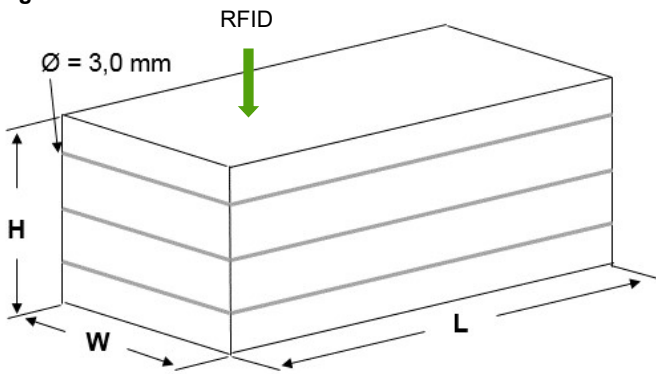
Standard bale unit configuration

Standard bale units

Size:	L = 88 cm
	W = 152 cm
	H = 160 cm
Weight:	2000 kg (8 x 250 kg)
Wires:	Vessel 7 or 8 galvanized wires
RFID:	1 tag per ton of pulp (traceability)

UPM Betula Pietarsaari

Big bale



Sheets

Size: 84 x 73 cm

Grammage: 850 g/m²

Big bale

Size: L = 160 cm

W = 86 cm

H = 75 cm

Weight: 1000 kg

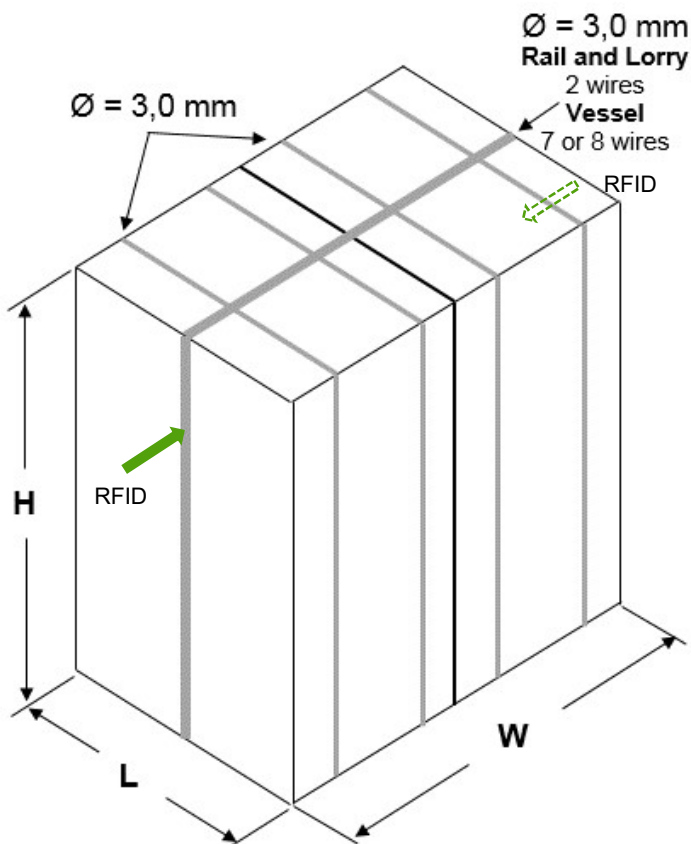
Wrapping: No wrapping

Markings: Red watersoluble inkjet printing.
Country, company name, product code and bale number on both sides.

Wires: 3 galvanized wires,
diameter 3,0 mm

RFID: 1 tag per ton of pulp (traceability)

Big bale unit configuration



Big bale unit configuration

Big bale units

Size: L = 86 cm

W = 150 cm

H = 160 cm

Weight: 2000 kg (2 x 1000 kg)

Wires: Vessel 7 or 8 galvanized wires, Rail and Lorry 2 wires
diameter 3,0 mm

RFID: 1 tag per ton of pulp (traceability)

UPM-Kymmene Corporation

Alvar Aallon katu 1

PO Box 380

FI-00101 Helsinki, Finland

Contact information:

Tom Hultholm Senior Product Manager , tel. +358 400 589 529

tom.hultholm@upm.com

www.upmpulp.com