

# TECHNICAL DATA SHEET

## UPM Euca

ECF Bleached Eucalyptus Kraft Pulp

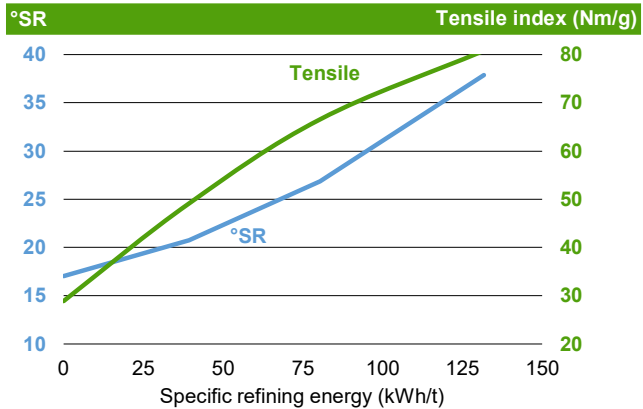
Pulp mill: UPM Fray Bentos

Date of issue: 2.12.2021

### PULP CHARACTERISTICS

	Typical value	Spec
Brightness, ISO % ISO 2470-1	<b>90</b>	≥ 89
Impurities, mm <sup>2</sup> /kg ISO 5350-2	<b>1</b>	
Extractives, % ISO 14453	<b>0,1</b>	≤ 0,2
Ash content, % ISO 1762	<b>0,4</b>	≤ 0,6
pH ISO 6588-2	<b>5,7</b>	<b>5,0-7,0</b>

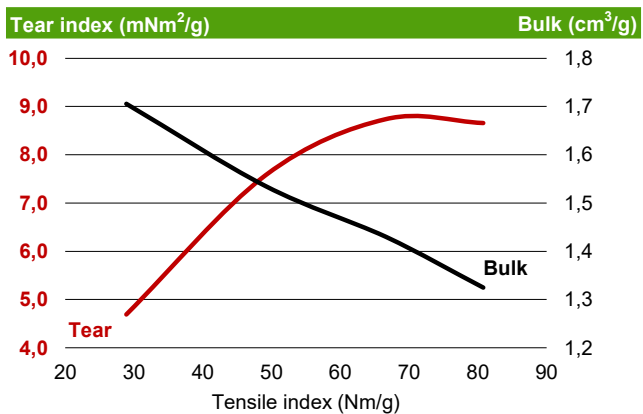
### REFINABILITY



### FIBRE CHARACTERISTICS

	Typical value
Fibre length, mm Metso FS5	<b>0,9</b>
Coarseness, mg/m Metso FS5	<b>0,06</b>

### TEAR AND BULK AT TENSILE



### RAW MATERIAL

#### Hardwood

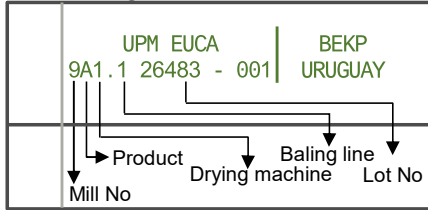
Eucalyptus 100%  
E. grandis, dunnii, globulus, maidenii

Specific Refining Energy	CSF	SR number	Tensile index	Stiffness index	Tear index	Scott Bond	Bulk	Opacity	Air res. Gurley
kWh/t	ml		Nm/g	kNm/g	mNm <sup>2</sup> /g	J/m <sup>2</sup>	cm <sup>3</sup> /g	%	s
0	577	17	29	4,7	4,7	114	1,71	78,2	1,9
39	505	21	49	6,2	7,6	233	1,54	75,6	3,4
80	413	27	67	7,2	8,7	408	1,43	73,9	9,1
132	294	38	81	7,8	8,7	782	1,32	71,7	38,9
30	524	20	45	5,9	6,9	212	1,57	76,2	3,2
68	442	25	61	6,9	8,4	357	1,46	74,3	7,3
92	384	30	72	7,4	8,7	533	1,40	73,1	18,3
42	501	21	50	6,3	7,5	245	1,53	75,5	3,8
61	456	24	60	6,8	8,3	344	1,47	74,5	7,1
92	388	29	70	7,3	8,7	489	1,41	73,4	15,2

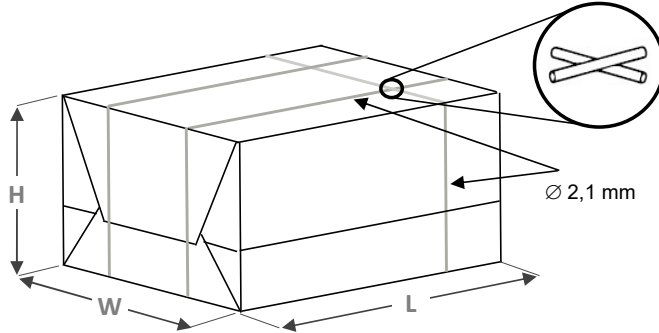
Typical values are averages from all mill quality control samples during H2 2020 - H1 2021. They are given in good faith to represent mill performance and do not constitute contractual undertaking. Values in the table are mean (indicative) values from pulp testing with Voith-Sulzer refining, using standard water. Specific Edge Load 0,5 J/m, ISO testing methods (H 50%, 23 °C, 60 g/m<sup>2</sup> sheets).

## UPM Euca

### Bale marking



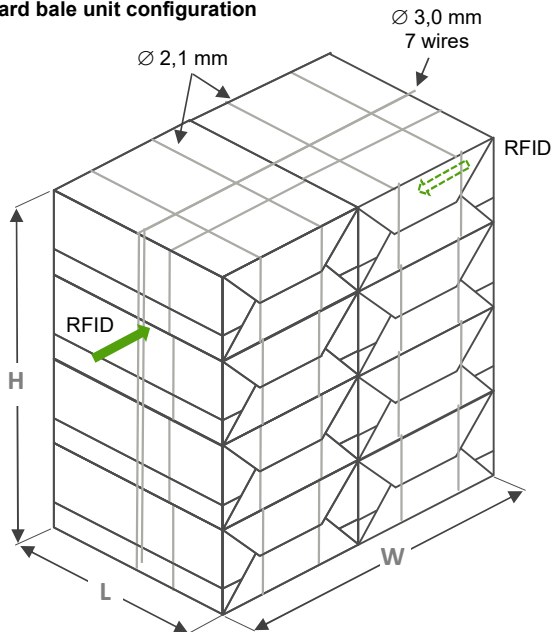
### Standard Bale



Sheets	
<b>Size:</b>	92 x 67 cm
<b>Grammage:</b>	1000 - 1200 g/m <sup>2</sup>

Standard bale	
<b>Size:</b>	L = 96 cm W = 69 cm H = 45 cm
<b>Weight:</b>	250 kg
<b>Wrapping:</b>	Pulp sheets (unwrapped on demand)
<b>Markings:</b>	Green watersoluble inkjet printing. Country, company name, product code and bale number on both sides, on every second bale.
<b>Wires:</b>	3 galvanized wires, diameter 2,1 mm.

### Standard bale unit configuration



Standard unit	
<b>Size:</b>	L = 96 cm W = 139 cm H = 180 cm
<b>Weight:</b>	2000 kg (8x250 kg)
<b>Wires:</b>	7 galvanized wires, diameter 3,0 mm
<b>RFID:</b>	1 tag per ton of pulp

### UPM-Kymmene Corporation

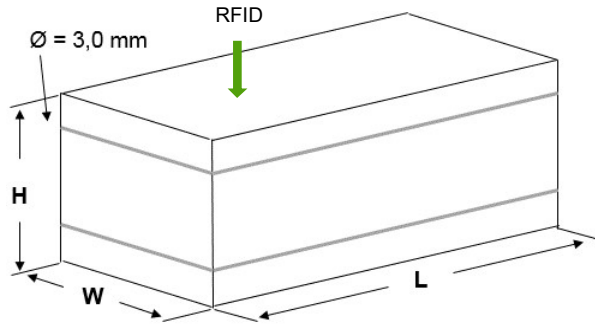
Alvar Aallon katu 1  
PO Box 380  
FI-00101 Helsinki, Finland

### Contact information:

Tom Hultholm Senior Product Manager, tel. +358 400 589 529  
tom.hultholm@upm.com  
www.upmpulp.com

## UPM Euca

### Big bale



#### Sheets

**Size:** 92 x 67 cm

**Grammage:** 1000 - 1200 g/m<sup>2</sup>

#### Big bale

**Size:** L = 180 cm

W = 94 cm

H = 68 cm

**Weight:** 1000 kg

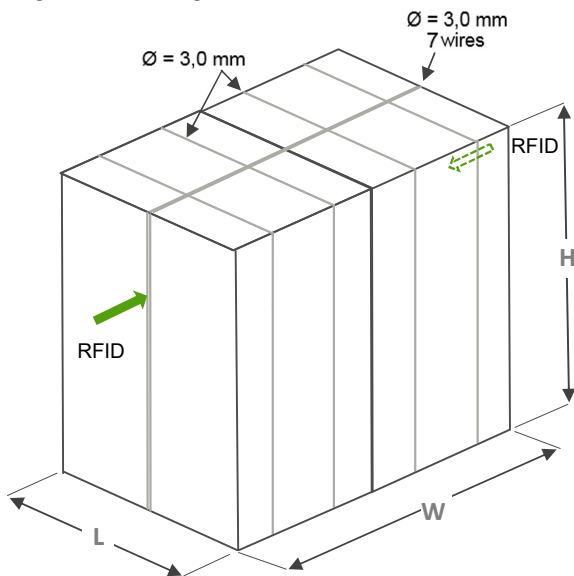
**Wrapping:** No wrapping

**Markings:** Green watersoluble inkjet printing.  
Country, company name, product code  
and bale number on both sides.

**Wires:** 2 galvanized wires,  
diameter 3,0 mm

**RFID:** 1 tag per ton of pulp

### Big bale unit configuration



#### Big bale unit

**Size:** L = 94 cm

W = 137 cm

H = 180 cm

**Weight:** 2000 kg (2x1000 kg)

**Wires:** 7 galvanized wires,  
diameter 3,0 mm

**RFID:** 1 tag per ton of pulp

#### UPM-Kymmene Corporation

Alvar Aallon katu 1

PO Box 380

FI-00101 Helsinki, Finland

#### Contact information:

Tom Hultholm Senior Product Manager, tel. +358 400 589 529

tom.hultholm@upm.com

www.upmpulp.com