

TECHNICAL DATA SHEET

UPM Betula

ECF Bleached Birch Kraft Pulp

Pulp mill: UPM Kymi

Date of issue: 08.04.2019

PULP CHARACTERISTICS

	Typical value	Spec
Brightness, ISO % ISO 2470-1	90	≥ 88
Impurities, mm ² /kg ISO 5350	2	
Extractives, % SCAN-CM 49:93	0,2	≤ 0,4
Ash content, % ISO 1762	0,3	≤ 0,7
pH ISO 6588	5,9	5,0-7,0

FIBRE CHARACTERISTICS

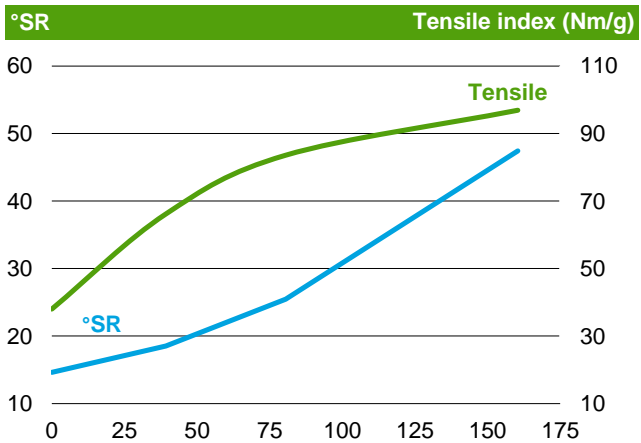
	Typical value
Fibre length, mm Metso FS5	1,05
Coarseness, mg/m Metso FS5	0,07

RAW MATERIAL

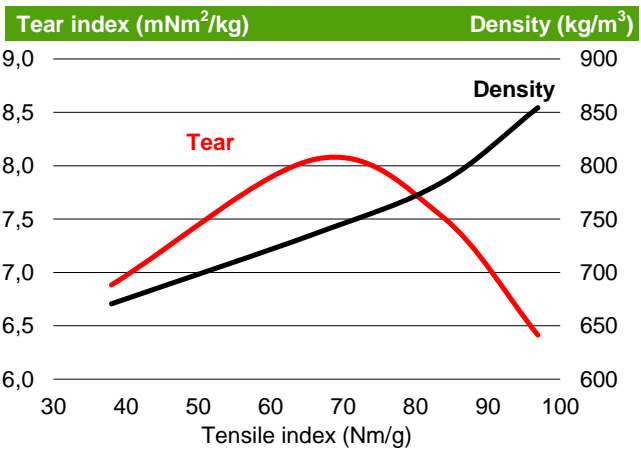
Hardwood

Birch, Aspen and Sawdust

REFINABILITY



TEAR AND DENSITY AT TENSILE



Specific Refining Energy	CSF	SR number	Tensile index	Stiffness index	Tear index	Scott Bond	Density	Opacity	Air res.
kWh/t	ml		Nm/g	Nm/g	mNm ² /g	J/m ²	kg/m ³	%	s
0	628	15	38	5,6	6,9	167	671	73,6	2,7
39	554	19	66	7,4	8,1	372	736	69,7	6,7
80	435	25	84	8,3	7,5	701	784	66,9	32
160	214	47	97	9,2	6,4	1458	854	62,1	781
17	597	16	50	6,4	7,4	254	699	71,9	4,4
48	528	20	70	7,6	7,9	445	747	69,1	12
119	329	36	90	8,7	7,0	1065	818	64,6	392
48	529	20	70	7,6	7,9	442	746	69,1	12
79	440	25	83	8,3	7,6	685	783	67,0	17
97	389	30	86	8,5	7,3	857	799	65,9	187

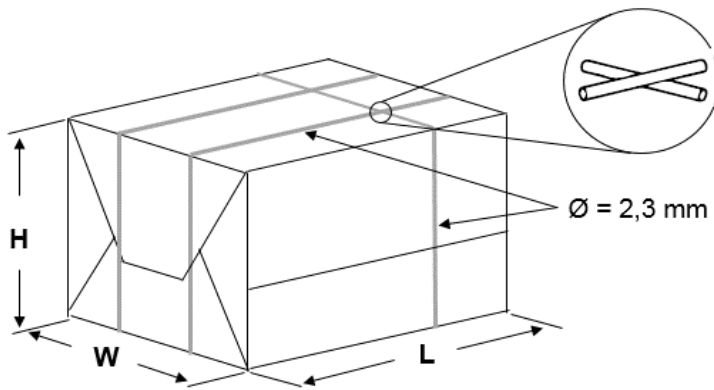
Typical values are averages from all mill quality control samples during 2018. They are given in good faith to represent mill performance and do not constitute contractual undertaking. Values in the table are mean (indicative) values from pulp testing with Voith-Sulzer refining, using standard water. Specific Edge Load 0,5 J/m, ISO testing methods (H 50%, 23 °C, 60 gr/m² sheets).

UPM Betula Kymi

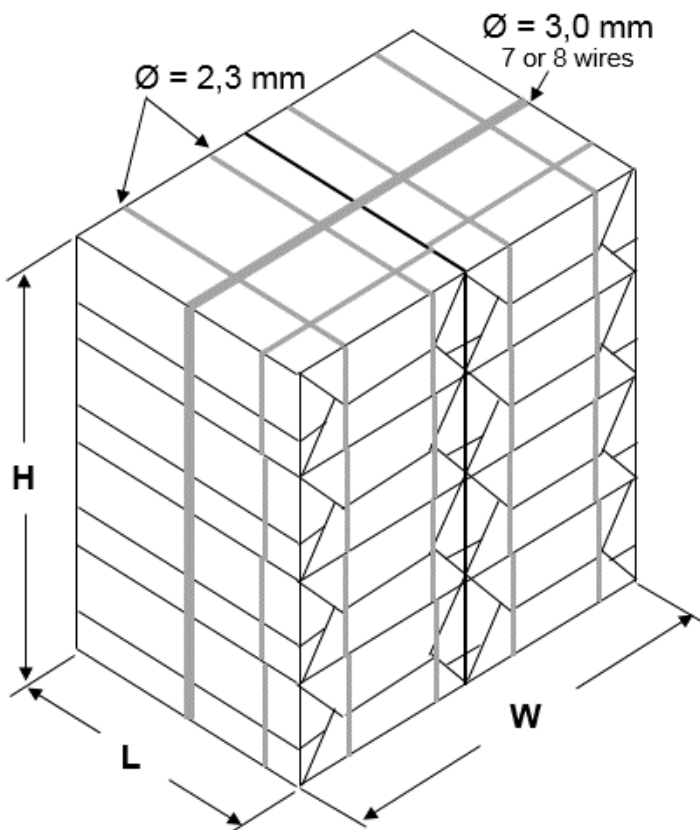
Bale marking

	UPM Betula	BHKP
	5 E	54504
		FIN
	Mill No	Product
		Lot No

Standard bale



Standard bale unit configuration



Sheets

Size:	85 x 70 cm
Grammage:	1100 g/m ²

Standard bale

Size:	L =	89 cm
	W =	73 cm
	H =	43,5 cm

Weight: 250 kg

Wrapping: Pulp sheets (unwrapped on demand)

Markings: Red watersoluble inkjet printing.
Country, company name, product code and bale number on both sides.

Wires: 3 galvanized wires,
diameter 2,3 mm.

Standard bale unit configuration

Standard bale units

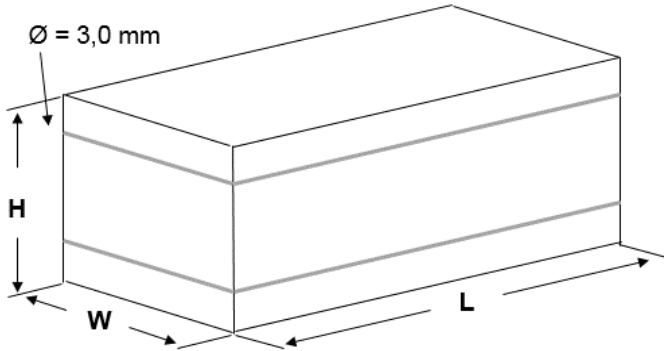
Size:	L =	89 cm
	W =	146 cm
	H =	175 cm

Weight: 2000 kg (8 x 250 kg)

Wires: 7 or 8 galvanized wires,
diameter 3,0 mm

UPM Betula Kymi

Big bale



Sheets

Size:	85 x 70 cm
Grammage:	1100 g/m ²

Big bale

Size:	L =	175 cm
	W =	87 cm
	H =	72cm

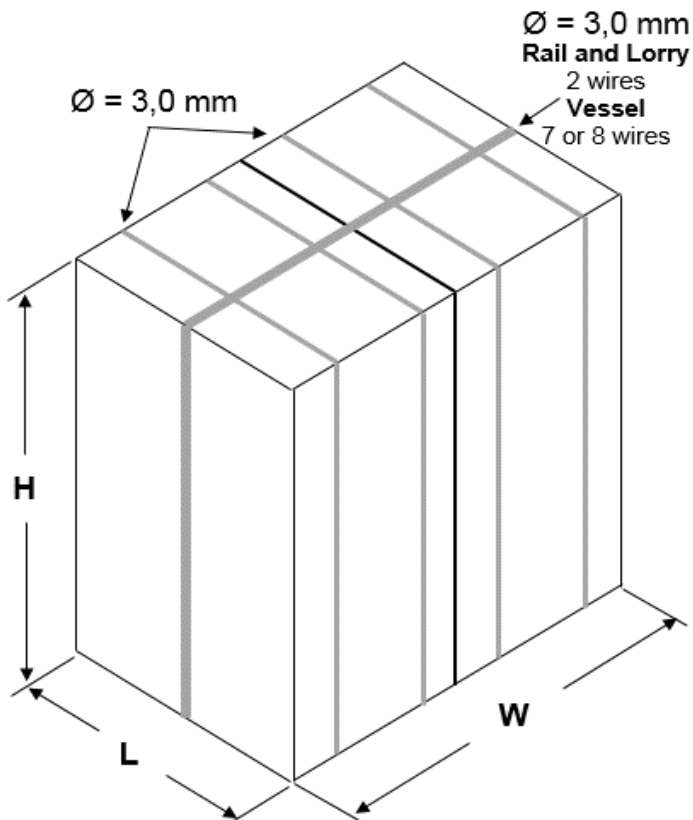
Weight: 1000 kg

Wrapping: No wrapping

Markings: Red watersoluble inkjet printing.
Country, company name, product code and bale number on both sides.

Wires: 2 galvanized wires,
diameter 3,0 mm

Big bale unit configuration



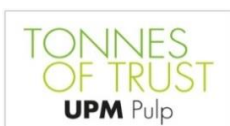
Big bale unit configuration

Big bale units

Size:	L =	87 cm
	W =	144 cm
	H =	175cm

Weight: 2000 kg (2 x 1000 kg)

Wires: Vessel 7 or 8 galvanized wires, Rail and Lorry 2 wires
diameter 3,0 mm



UPM-Kymmene Corporation

Alvar Aallon katu 1
PO Box 380
FI-00101 Helsinki, Finland

Contact information:

Niklas Keskinen Senior Product Manager , tel. +358 40 585 2781
niklas.keskinen@upm.com
www.upmpulp.com