

TECHNICAL DATA SHEET

UPM Conifer

ECF Bleached Northern Softwood Kraft Pulp
Pulp mill: UPM Kaukas

Date of issue: 29.11.2018

PULP CHARACTERISTICS

	Typical value	Spec
Brightness, ISO % ISO 2470-1	89	≥ 88
Impurities, mm ² /kg ISO 5350	3	
Extractives, % SCAN-CM 49:93	0,04	≤ 0,15
Ash content, % ISO 1762	0,1	≤ 0,2
pH ISO 6588	5,7	5,0-7,0

FIBRE CHARACTERISTICS

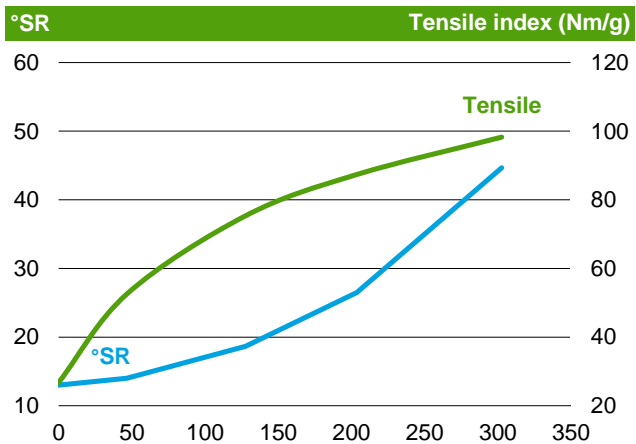
	Typical value
Fibre length, mm Metso FS5	2,20
Coarseness, mg/m Metso FS5	0,15

RAW MATERIAL

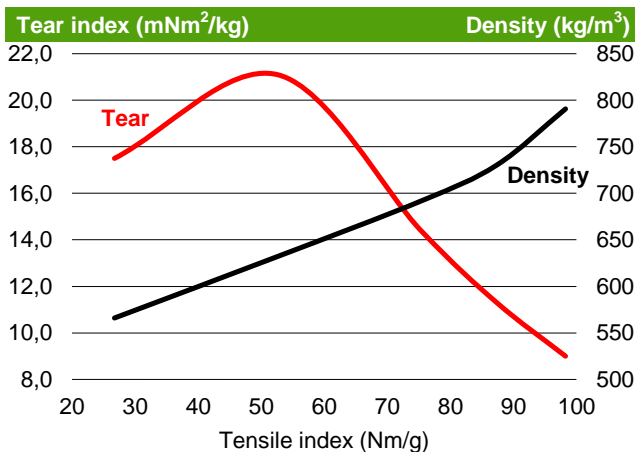
Softwood

Pine (Pinus Silvestris), Spruce (Picea Abies)

REFINABILITY



TEAR AND DENSITY AT TENSILE

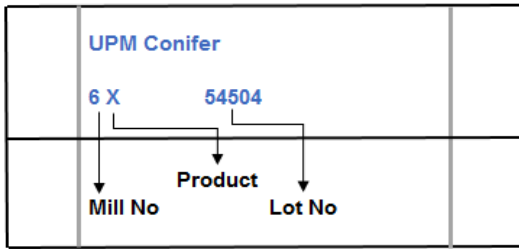


Specific Refining Energy	CSF	SR number	Tensile index	Stiffness index	Tear index	Scott Bond	Density	Opacity	Air res.
kWh/t	ml		Nm/g	Nm/g	mNm ² /g	J/m ²	kg/m ³	%	s
0	720	13	27	3,7	17,5	122	566	71,4	1,4
47	705	14	53	5,9	21,1	230	632	68,4	2,3
128	595	19	75	7,5	14,4	420	692	65,0	12
204	442	27	87	8,2	11,3	624	730	62,4	83
303	242	45	98	9,1	9,0	967	791	59,3	1300
42	706	14	50	5,7	20,7	220	625	68,7	2,2
109	621	18	70	7,1	16,0	376	678	65,8	9
228	393	31	90	8,5	10,7	707	745	61,6	377
141	569	20	77	7,6	13,9	455	698	64,6	24
189	471	25	85	8,1	11,9	585	723	62,9	69
223	403	30	89	8,4	10,9	690	742	61,8	317
175	500	24	83	8,0	12,5	547	716	63,4	56
224	400	30	90	8,4	10,8	696	743	61,7	337
274	300	39	95	8,9	9,7	867	773	60,2	945

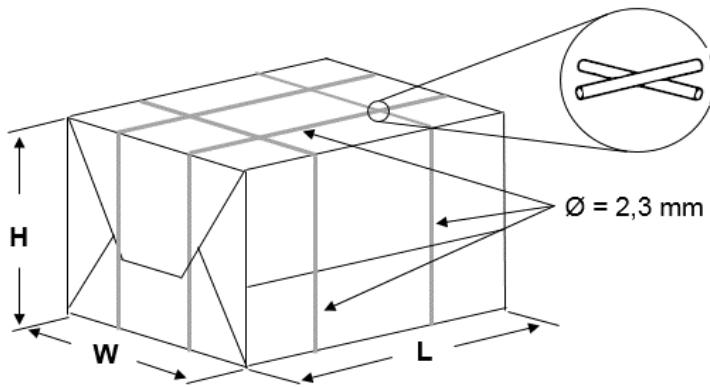
Typical values are averages from all mill quality control samples during 2018. They are given in good faith to represent mill performance and do not constitute contractual undertaking. Values in the table are mean (indicative) values from pulp testing with Voith-Sulzer refining, using standard water. Specific Edge Load 2,5 J/m, ISO testing methods (H 50%, 23 °C, 60 gr/m² sheets).

UPM Conifer

Bale marking



Standard bale



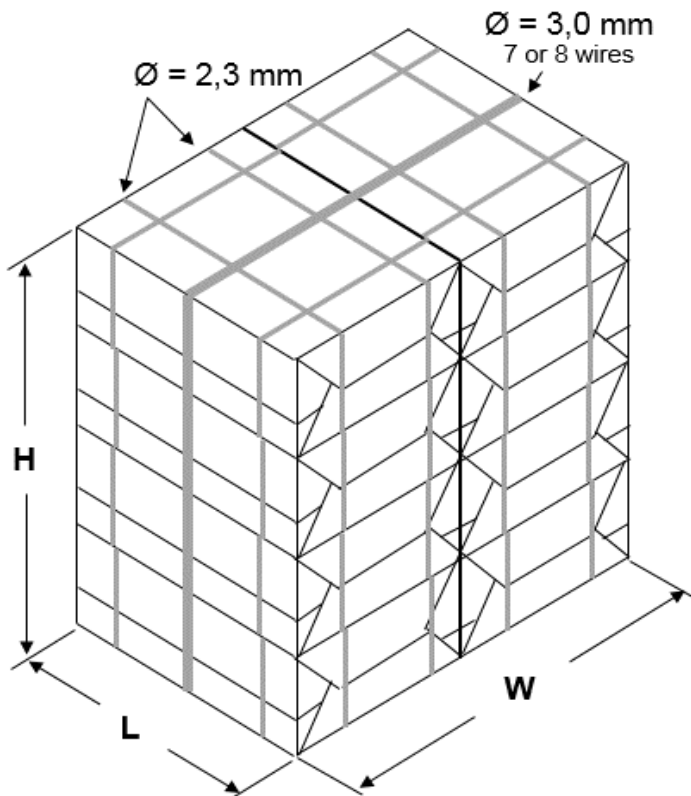
Sheets

Size:	85 x 70 cm
Grammage:	1000 g/m ²

Standard bale

Size:	L = 89 cm
	W = 73 cm
	H = 43,5 cm
Weight:	250 kg
Wrapping:	Pulp sheets (unwrapped on demand)
Markings:	Blue watersoluble inkjet printing. Country, company name, product code and bale number on both sides.
Wires:	4 galvanized wires, diameter 2,3 mm.

Standard bale unit configuration



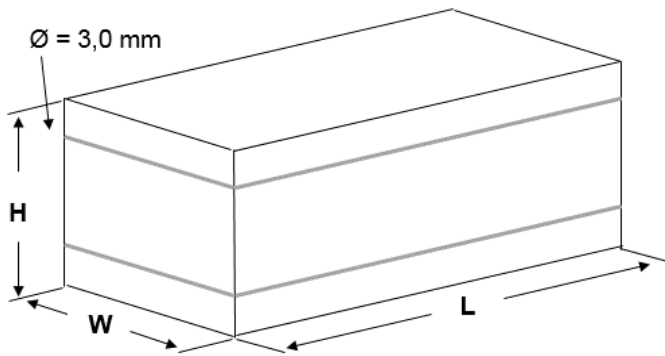
Standard bale unit configuration

Standard bale units

Size:	L = 89 cm
	W = 146 cm
	H = 175cm
Weight:	2000 kg (8 x 250 kg)
Wires:	7 or 8 galvanized wires, diameter 3,0 mm

UPM Conifer

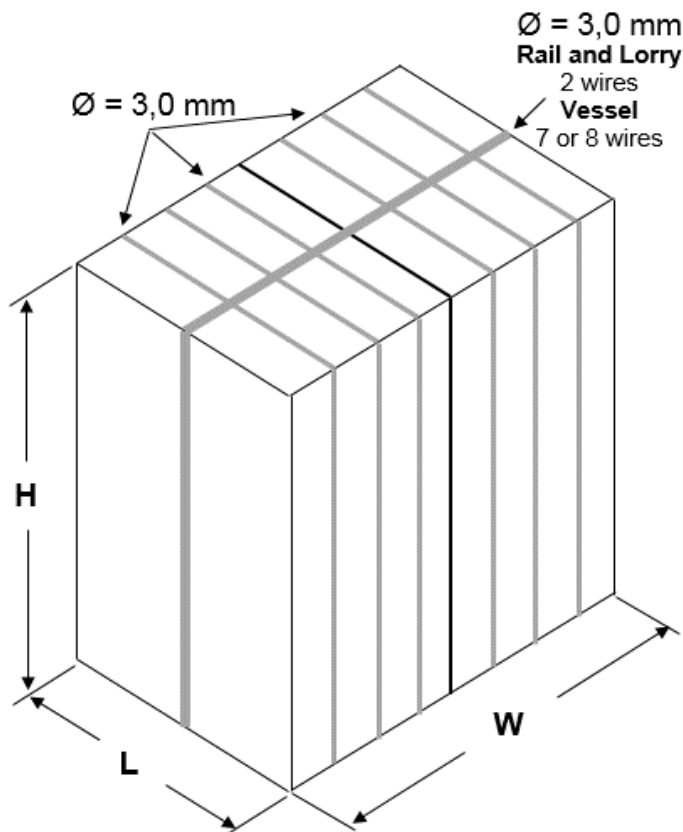
Big bale



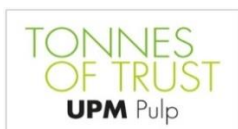
Sheets	
Size:	85 x 70 cm
Grammage:	1000 g/m ²

Big bale	
Size:	L = 175 cm W = 87 cm H = 72cm
Weight:	1000 kg
Wrapping:	No wrapping
Markings:	BLUE watersoluble inkjet printing. Country, company name, product code and bale number on both sides.
Wires:	2 galvanized wires, diameter 3,0 mm

Big bale unit configuration



Big bale unit configuration	
Big bale units	
Size:	L = 87 cm W = 144 cm H = 175cm
Weight:	2000 kg (2 x 1000 kg)
Wires:	Vessel 7 or 8 galvanized wires, Rail and Lorry 2 wires diameter 3,0 mm



UPM-Kymmene Corporation
Alvar Aallon katu 1
PO Box 380
FI-00101 Helsinki, Finland

Contact information:
Niklas Keskinen Senior Product Manager, tel. +358 40 585 2781
niklas.keskinen@upm.com
www.upmpulp.com