

TECHNICAL DATA SHEET

UPM Conifer

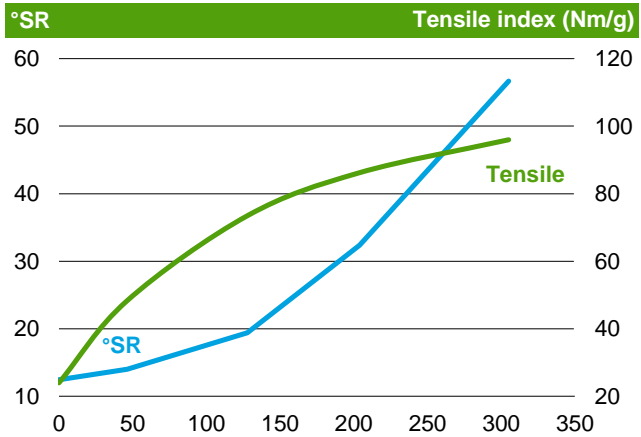
ECF Bleached Northern Softwood Kraft Pulp
Pulp mill: UPM Pietarsaari

Date of issue: 29.11.2018

PULP CHARACTERISTICS

	Typical value	Spec
Brightness, ISO % ISO 2470-1	89	≥ 88
Impurities, mm ² /kg ISO 5350	2	
Extractives, % SCAN-CM 49:93	0,04	≤ 0,15
Ash content, % ISO 1762	0,1	≤ 0,2
pH ISO 6588	5,7	5,0-7,0

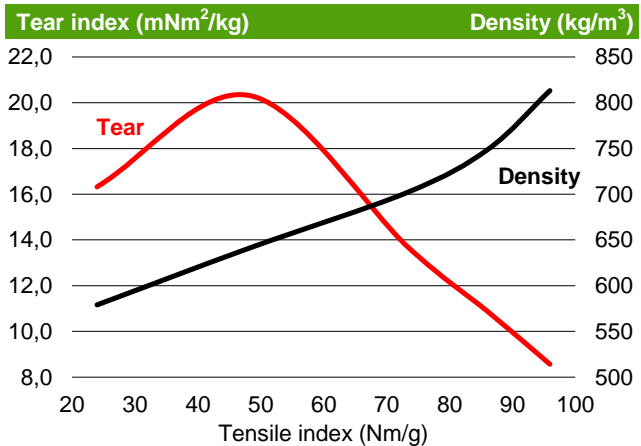
REFINABILITY



FIBRE CHARACTERISTICS

	Typical value
Fibre length, mm Metso FS5	2,12
Coarseness, mg/m Metso FS5	0,15

TEAR AND DENSITY AT TENSILE



RAW MATERIAL

Softwood

Pine (Pinus Silvestris), Spruce (Picea Abies)

Specific Refining Energy	CSF	SR number	Tensile index	Stiffness index	Tear index	Scott Bond	Density	Opacity	Air res.
kWh/t	ml		Nm/g	Nm/g	mNm ² /g	J/m ²	kg/m ³	%	s
0	718	12	24	3,7	16,3	115	579	71,9	1,4
46	683	14	48	5,8	20,3	247	641	68,1	2,1
128	554	19	73	7,5	13,7	485	702	64,3	12
204	362	32	86	8,4	10,8	813	749	61,7	139
305	163	57	96	9,2	8,6	1356	813	58,2	2888
49	681	14	50	5,9	20,6	256	646	67,8	2,1
117	572	19	70	7,3	14,6	452	694	64,8	10
243	284	42	90	8,7	10,0	1024	774	60,3	1208
137	539	20	76	7,7	12,9	512	709	63,9	13
161	471	25	79	7,9	12,4	626	723	63,2	67
190	397	30	84	8,3	11,4	752	741	62,2	116
149	500	23	77	7,8	12,9	577	716	63,6	47
189	400	30	84	8,2	11,4	747	740	62,2	114
235	300	40	89	8,7	10,1	981	769	60,6	991

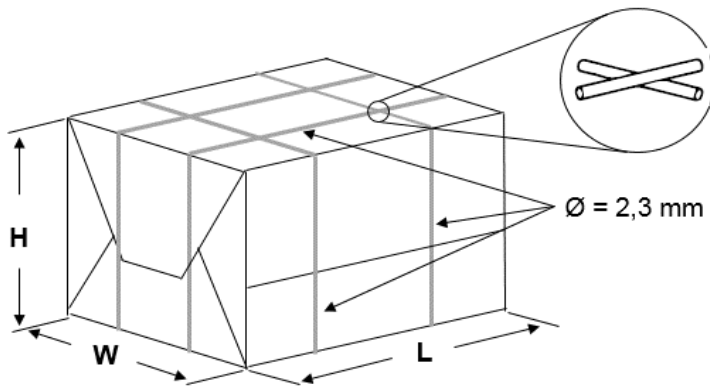
Typical values are averages from all mill quality control samples during 2018. They are given in good faith to represent mill performance and do not constitute contractual undertaking. Values in the table are mean (indicative) values from pulp testing with Voith-Sulzer refining, using standard water. Specific Edge Load 2,5 J/m, ISO testing methods (H 50%, 23 °C, 60 gr/m² sheets).

UPM Conifer Pietarsaari

Bale marking

	UPM Conifer	NBSK	
	8 H	54504	FIN
	Mill No	Product	Lot No

Standard bale



Sheets

Size: 86 x 70 cm

Grammage 1250 g/m²

Standard bale

Size: L = 90 cm

W = 73 cm

H = 42,5 cm

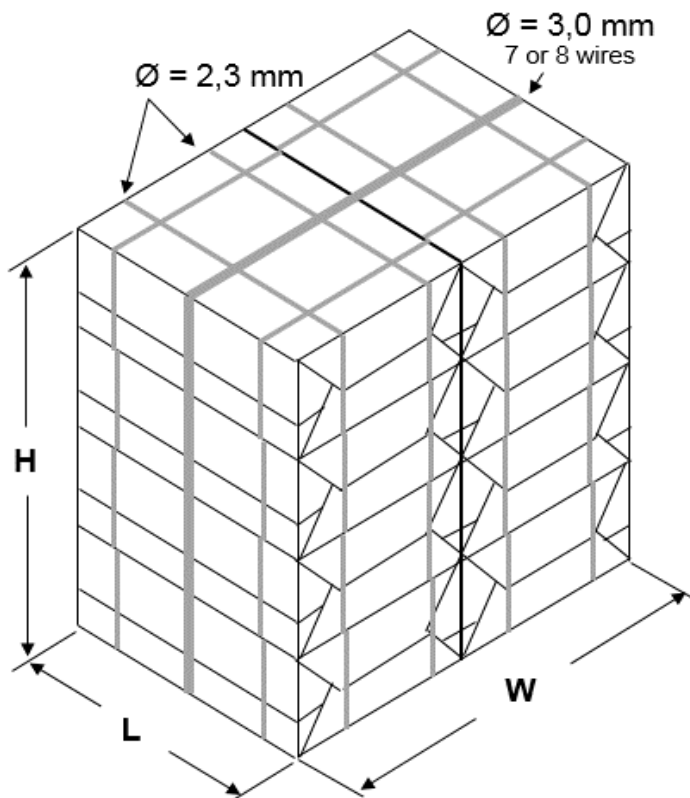
Weight: 250 kg

Wrapping: Pulp sheets (unwrapped on demand)

Markings: Blue watersoluble inkjet printing.
Country, company name, product code and bale number on both sides.

Wires: 4 galvanized wires,
diameter 2,3 mm.

Standard bale unit configuration



Standard bale unit configuration

Standard bale units

Size: L = 90 cm

W = 146 cm

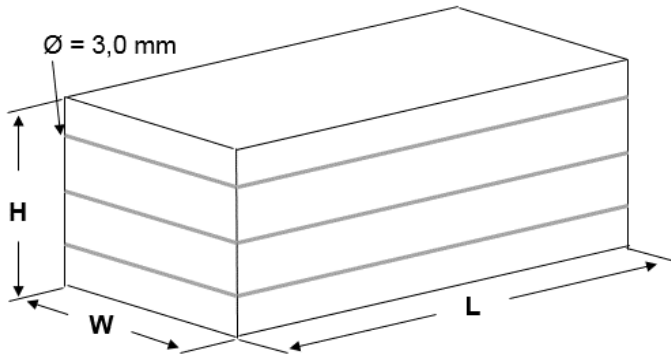
H = 170cm

Weight: 2000 kg (8 x 250 kg)

Wires: 7 or 8 galvanized wires,
diameter 3,0 mm

UPM Conifer Pietarsaari

Big bale



Sheets

Size: 86 x 70 cm

Grammage 1250 g/m²

Big bale

Size: L = 170 cm

W = 88 cm

H = 72cm

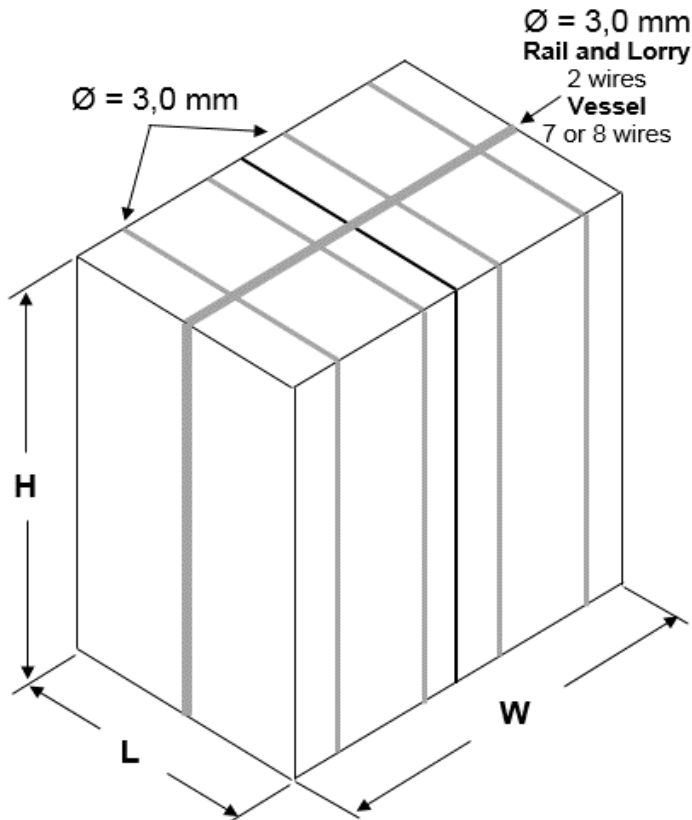
Weight: 1000 kg

Wrapping: No wrapping

Markings: Blue watersoluble inkjet printing.
Country, company name, product code
and bale number on both
sides.

Wires: 3 galvanized wires,
diameter 3,0 mm

Big bale unit configuration



Big bale unit configuration

Big bale units

Size: L = 88 cm

W = 144 cm

H = 170cm

Weight: 2000 kg (2 x 1000 kg)

Wires: Vessel 7 or 8 galvanized
wires, Rail and Lorry 2 wires
diameter 3,0 mm