

TECHNICAL DATA SHEET

UPM Conifer

ECF Bleached Northern Softwood Kraft Pulp
Pulp mill: UPM Pietarsaari

Date of issue: 12.6.2017

PULP CHARACTERISTICS

	Typical value	Spec
Brightness, ISO % ISO 2470-1	89	≥ 88
Impurities, mm ² /kg ISO 5350	1	
Extractives, % SCAN-CM 49:93	0,04	≤ 0,15
Ash content, % ISO 1762	0,1	≤ 0,2
pH ISO 6588	6	5,0-7,0

FIBRE CHARACTERISTICS

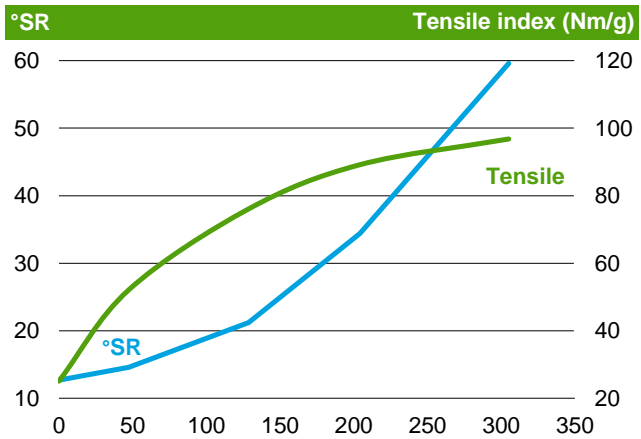
	Typical value
Fibre length, mm Metso FS5	2,1
Coarseness, mg/m Metso FS5	0,15

RAW MATERIAL

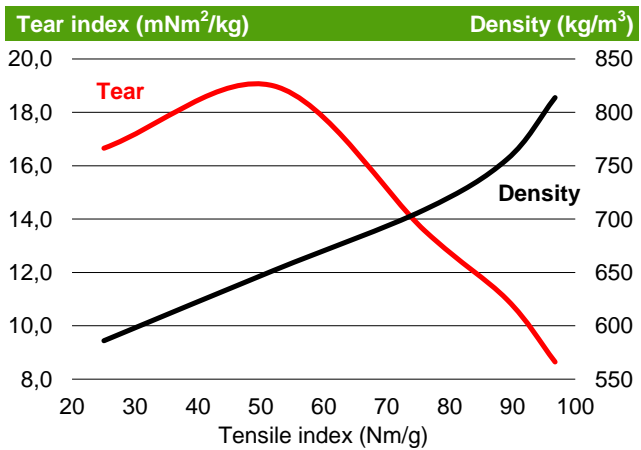
Softwood

Pine (Pinus Silvestris), Spruce (Picea Abies)

REFINABILITY



TEAR AND DENSITY AT TENSILE



Specific Refining Energy	CSF	SR number	Tensile index	Stiffness index	Tear index	Scott Bond	Density	Opacity	Air res.
kWh/t	ml		Nm/g	Nm/g	mNm ² /g	J/m ²	kg/m ³	%	s
0	708	13	25	3,8	16,7	107	586	71,9	1,5
47	669	15	52	6,0	19,0	247	652	67,5	2,6
129	525	21	76	7,6	13,6	464	709	64,6	17
204	340	34	89	8,4	11,0	742	756	62,1	160
305	151	60	97	9,0	8,6	1216	814	57,7	2573
44	672	14	50	5,8	18,8	236	647	67,9	2,5
108	561	20	70	7,2	14,9	409	694	65,4	13
215	319	37	90	8,5	10,7	795	762	61,7	427
114	551	20	72	7,3	14,5	425	699	65,1	14
150	163	25	80	7,8	12,8	544	722	63,9	58
179	401	30	85	8,1	11,8	649	740	63,0	112
139	500	23	78	7,7	13,2	501	715	64,3	36
179	400	30	85	8,1	11,8	652	741	63,0	113
225	300	40	91	8,5	10,5	842	768	61,2	665

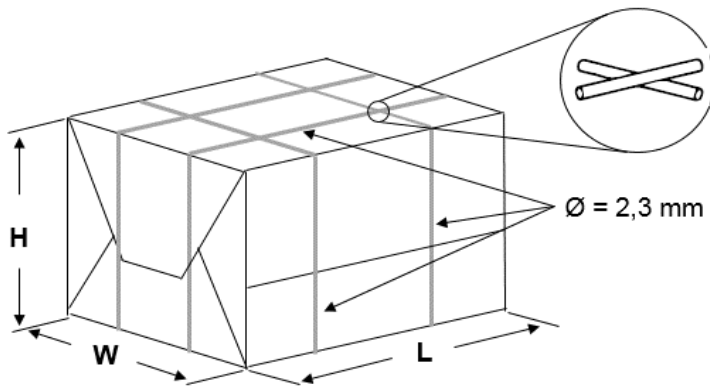
Typical values are averages from all mill quality control samples during 2016. They are given in good faith to represent mill performance and do not constitute contractual undertaking. Values in the table are mean (indicative) values from pulp testing with Voith-Sulzer refining, using standard water. Specific Edge Load 2,5 J/m, ISO testing methods (H 50%, 23 °C, 60 gr/m² sheets).

UPM Conifer Pietarsaari

Bale marking

	UPM Conifer	NBSK	
	8 H	54504	FIN
	Mill No	Product	Lot No

Standard bale



Sheets

Size: 86 x 70 cm

Grammage 1250 g/m²

Standard bale

Size: L = 90 cm
W = 73 cm
H = 42,5 cm

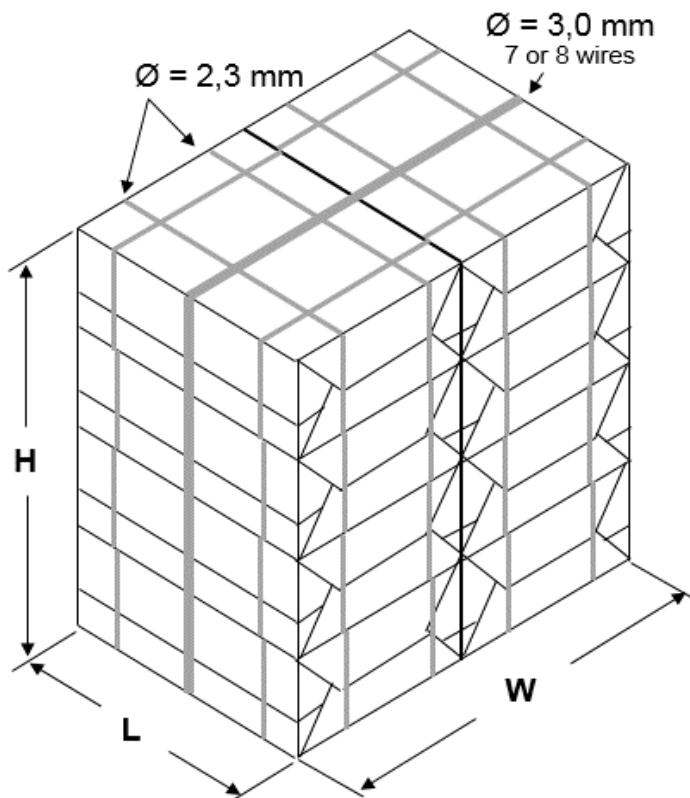
Weight: 250 kg

Wrapping: Pulp sheets (unwrapped on demand)

Markings: Blue watersoluble inkjet printing.
Country, company name, product code and bale number on both sides.

Wires: 4 galvanized wires,
diameter 2,3 mm.

Standard bale unit configuration



Standard bale unit configuration

Standard bale units

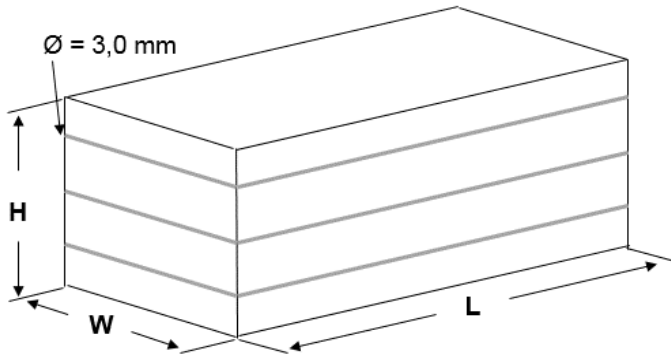
Size: L = 90 cm
W = 146 cm
H = 170cm

Weight: 2000 kg (8 x 250 kg)

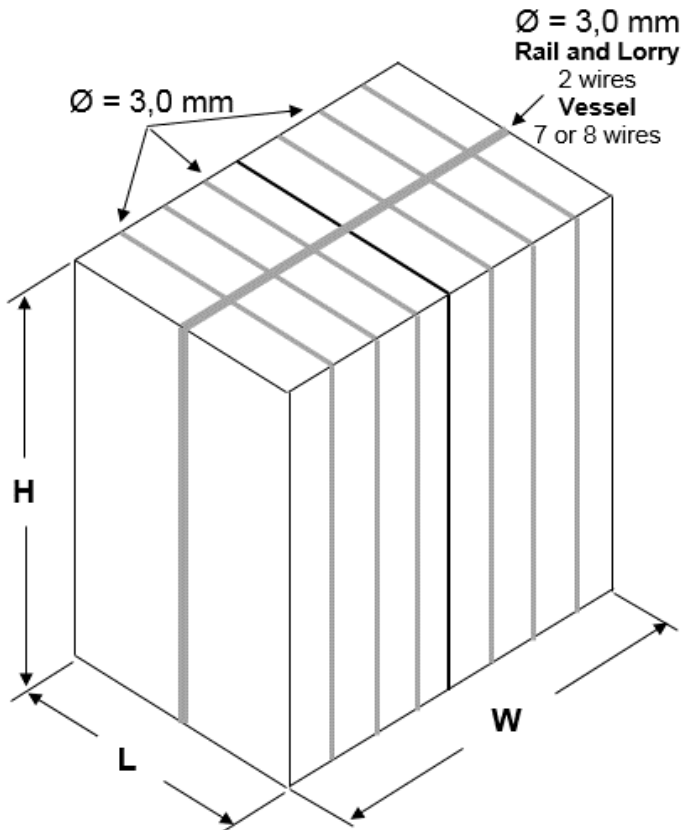
Wires: 7 or 8 galvanized wires,
diameter 3,0 mm

UPM Conifer Pietarsaari

Big bale



Big bale unit configuration



Sheets

Size: 86 x 70 cm

Grammage 1250 g/m²

Big bale

Size: L = 170 cm

W = 88 cm

H = 72cm

Weight: 1000 kg

Wrapping: No wrapping

Markings: Blue watersoluble inkjet printing.
Country, company name, product code
and bale number on both
sides.

Wires: 3 galvanized wires,
diameter 3,0 mm

Big bale unit configuration

Big bale units

Size: L = 88 cm

W = 144 cm

H = 170cm

Weight: 2000 kg (2 x 1000 kg)

Wires: Vessel 7 or 8 galvanized
wires, Rail and Lorry 2 wires
diameter 3,0 mm