

TECHNICAL DATA SHEET

UPM Conifer Reinforcement

ECF Bleached Northern Softwood Kraft Pulp
Pulp mill: UPM Kaukas

Date of issue: 19.12.2017

PULP CHARACTERISTICS

	Typical value	Spec
Brightness, ISO % ISO 2470-1	87,5	≥ 86
Impurities, mm ² /kg ISO 5350	5	
Extractives, % SCAN-CM 49:93	0,04	≤ 0,15
Ash content, % ISO 1762	0,1	≤ 0,2
pH ISO 6588	6	5,0-7,0

FIBRE CHARACTERISTICS

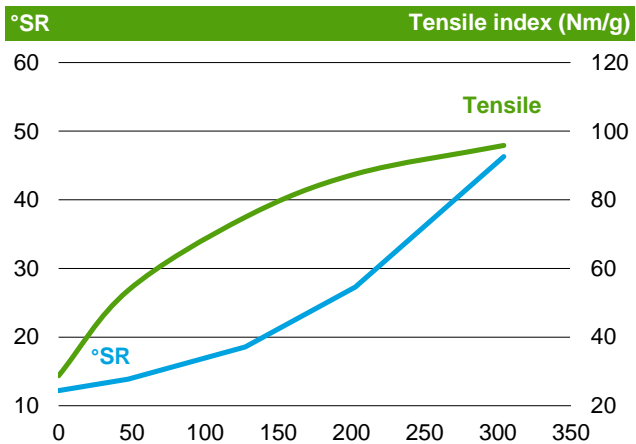
	Typical value
Fibre length, mm Metso FS5	2,35
Coarseness, mg/m Metso FS5	0,16

RAW MATERIAL

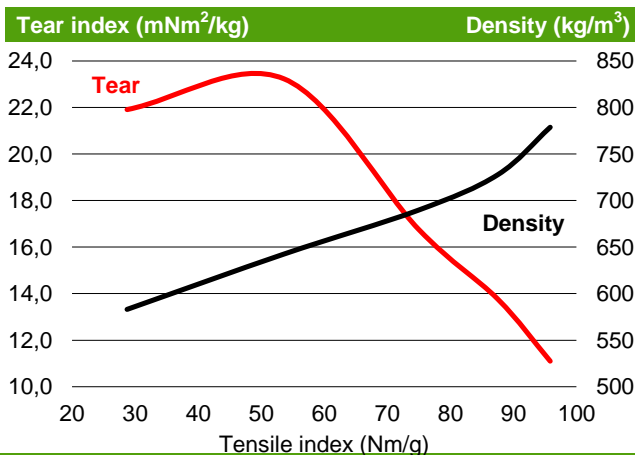
Softwood

Pine (*Pinus Silvestris*), Spruce (*Picea Abies*)

REFINABILITY



TEAR AND DENSITY AT TENSILE

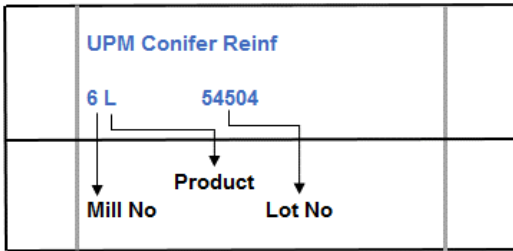


Specific Refining Energy	CSF	SR number	Tensile index	Stiffness index	Tear index	Scott Bond	Density	Opacity	Air res.
kWh/t	ml		Nm/g	Nm/g	mNm ² /g	J/m ²	kg/m ³	%	s
0	719	12	29	4,2	21,9	111	583	70,7	1,5
48	687	14	54	6,1	23,2	230	643	67,2	2,4
127	578	19	75	7,5	16,8	394	690	63,8	9,8
203	428	27	88	8,4	13,8	587	728	61,7	71
304	229	46	96	9,0	11,1	928	779	59,7	918
41	691	14	50	5,8	23,0	213	634	67,7	2,3
109	603	17	70	7,2	18,3	356	679	64,6	8
233	369	33	90	8,5	13,0	688	743	61,1	323
140	553	20	77	7,6	16,3	426	696	63,4	20
183	467	25	84	8,1	14,6	537	718	62,3	55
217	400	30	89	8,5	13,4	636	735	61,4	192
167	500	23	81	8,0	15,2	494	710	62,7	42
217	400	30	89	8,5	13,4	635	735	61,4	191
268	300	40	93	8,7	12,0	806	761	60,4	616

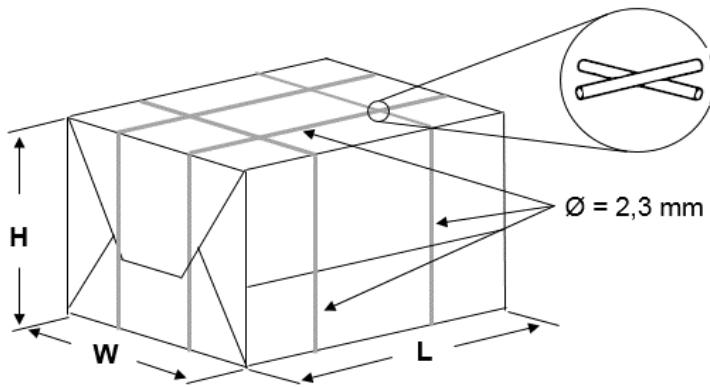
Typical values are averages from all mill quality control samples during 2016. They are given in good faith to represent mill performance and do not constitute contractual undertaking. Values in the table are mean (indicative) values from pulp testing with Voith-Sulzer refining, using standard water. Specific Edge Load 2,5 J/m, ISO testing methods (H 50%, 23 °C, 60 gr/m² sheets).

UPM Conifer Reinforcement

Bale marking



Standard bale



Sheets

Size:	85 x 70 cm
Grammage:	1000 g/m ²

Standard bale

Size:	L =	89 cm
	W =	73 cm
	H =	43,5 cm

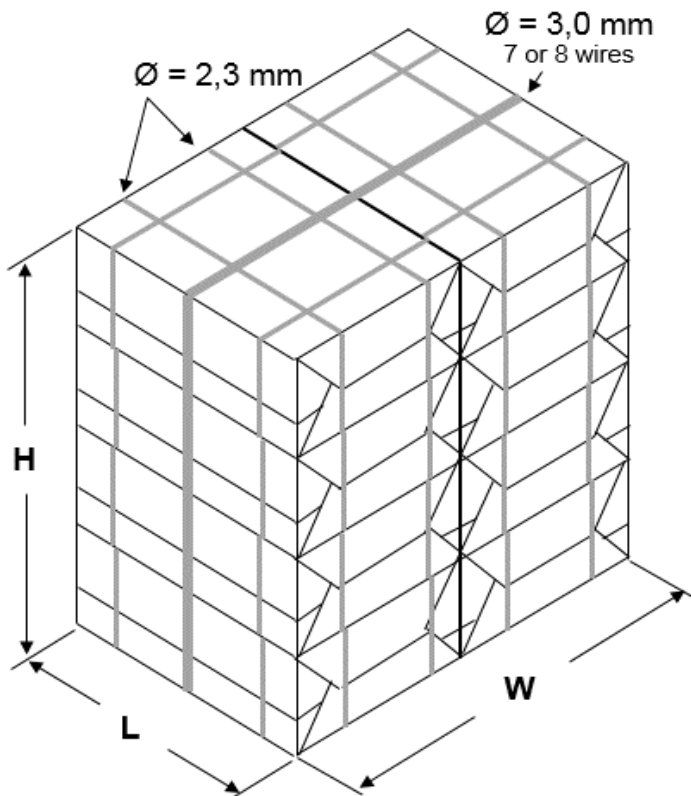
Weight: 250 kg

Wrapping: Pulp sheets (unwrapped on demand)

Markings: Blue watersoluble inkjet printing.
Country, company name, product code and bale number on both sides.

Wires: 4 galvanized wires,
diameter 2,3 mm.

Standard bale unit configuration



Standard bale unit configuration

Standard bale units

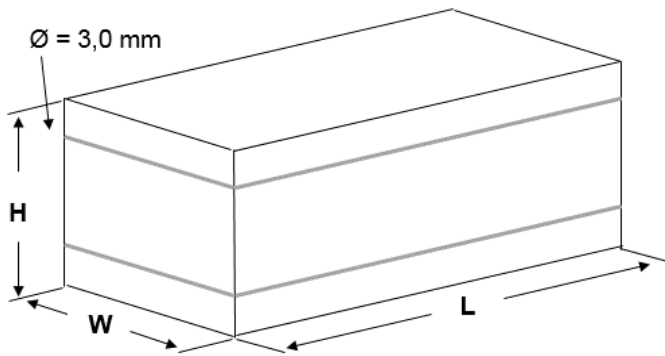
Size:	L =	89 cm
	W =	146 cm
	H =	175cm

Weight: 2000 kg (8 x 250 kg)

Wires: 7 or 8 galvanized wires,
diameter 3,0 mm

UPM Conifer Reinforcement

Big bale



Sheets	
Size:	85 x 70 cm
Grammage:	1000 g/m ²

Big bale	
Size:	L = 175 cm
	W = 87 cm
	H = 72cm

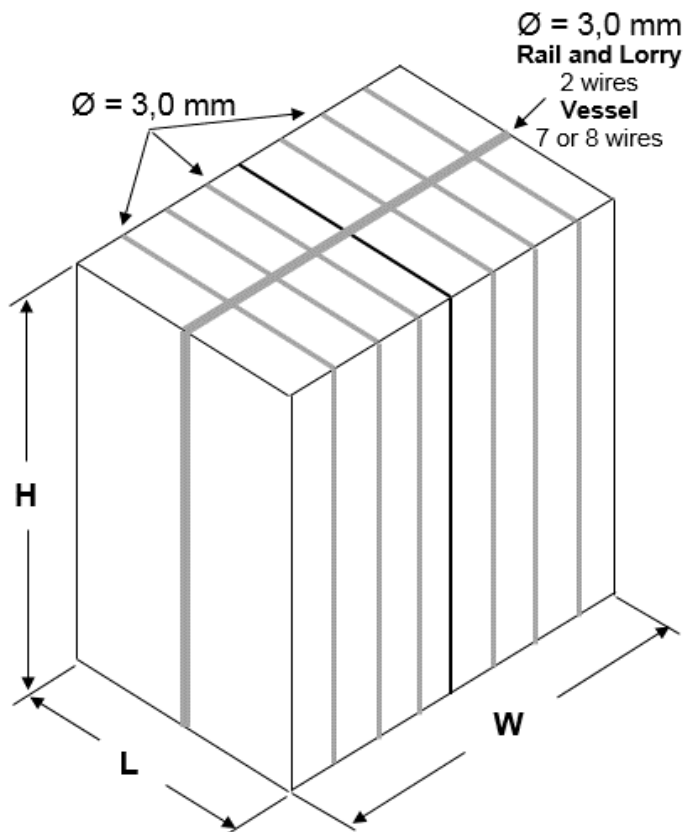
Weight: 1000 kg

Wrapping: No wrapping

Markings: BLUE watersoluble inkjet printing.
Country, company name, product code and bale number on both sides.

Wires: 2 galvanized wires,
diameter 3,0 mm

Big bale unit configuration

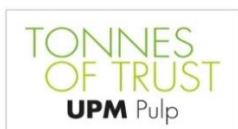


Big bale unit configuration

Big bale units	
Size:	L = 87 cm
	W = 144 cm
	H = 175cm

Weight: 2000 kg (2 x 1000 kg)

Wires: Vessel 7 or 8 galvanized wires, Rail and Lorry 2 wires
diameter 3,0 mm



UPM-Kymmene Corporation
Alvar Aallon katu 1
PO Box 380
FI-00101 Helsinki, Finland

Contact information:

Niklas Keskinen Product Manager, tel. +358 40 585 2781
niklas.keskinen@upm.com
www.upmpulp.com