

# TECHNICAL DATA SHEET

## UPM Conifer Thin

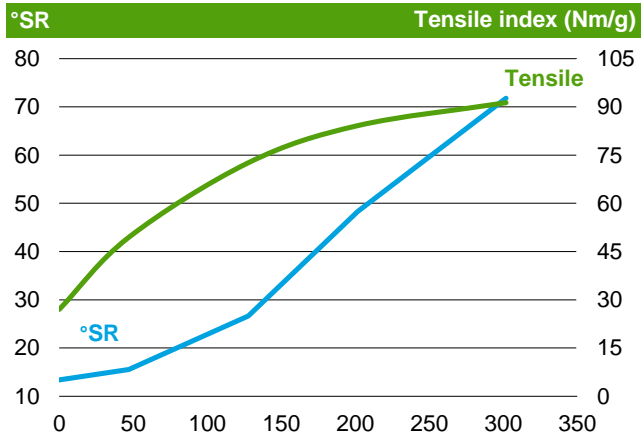
ECF Bleached Northern Softwood Kraft Pulp  
Pulp mill: UPM Pietarsaari

Date of issue: 12.6.2017

### PULP CHARACTERISTICS

	Typical value	Spec
Brightness, ISO % ISO 2470-1	<b>89</b>	≥ 88
Impurities, mm <sup>2</sup> /kg ISO 5350	<b>2</b>	
Extractives, % SCAN-CM 49:93	<b>0,04</b>	≤ 0,15
Ash content, % ISO 1762	<b>0,2</b>	≤ 0,3
pH ISO 6588	<b>6</b>	5,0-7,0

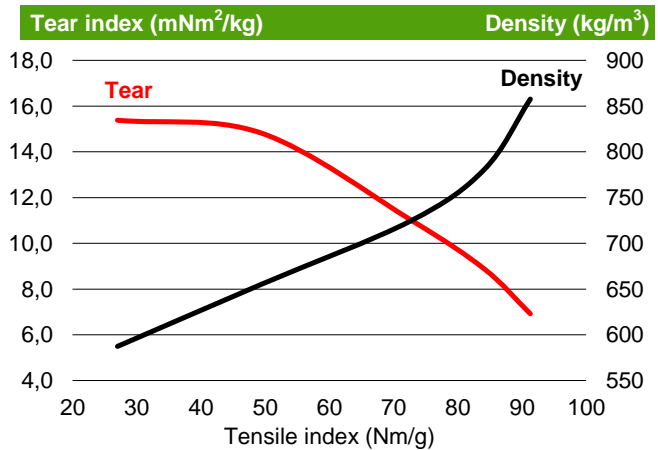
### REFINABILITY



### FIBRE CHARACTERISTICS

	Typical value
Fibre length, mm Metso FS5	<b>1,9</b>
Coarseness, mg/m Metso FS5	<b>0,15</b>

### TEAR AND DENSITY AT TENSILE



### RAW MATERIAL

#### Softwood

Pine (Pinus Silvestris), Spruce (Picea Abies)

Specific Refining Energy	CSF	SR number	Tensile index	Stiffness index	Tear index	Scott Bond	Density	Opacity	Air res.
kWh/t	ml		Nm/g	Nm/g	mNm <sup>2</sup> /g	J/m <sup>2</sup>	kg/m <sup>3</sup>	%	s
0	688	13	27	4,0	15,4	107	587	72,7	1,8
47	637	16	49	5,8	14,8	250	655	68,9	3,5
128	437	27	73	7,3	11,0	510	724	65,4	35
202	237	48	84	8,2	8,9	893	781	62,1	414
302	83	72	91	8,8	6,9	1475	858	56,0	10400
49	632	16	50	5,8	14,7	257	657	68,8	4,3
119	460	25	70	7,2	11,5	480	716	65,8	31
284	111	68	90	8,7	7,3	1369	844	57,1	8579
79	557	20	59	6,4	13,3	354	683	67,5	16,0
116	467	25	69	7,1	11,6	471	714	65,9	30
139	406	30	74	7,5	10,7	569	733	64,8	93
102	500	23	65	6,8	12,2	428	703	66,5	25
141	400	31	75	7,5	10,6	581	735	64,7	105
178	300	41	81	8,0	9,6	772	763	63,1	295

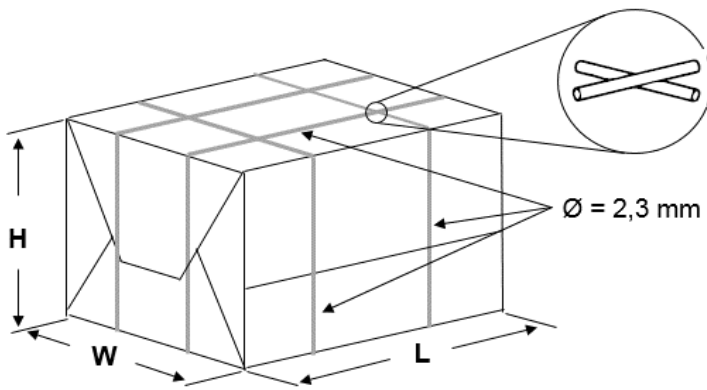
Typical values are averages from all mill quality control samples during 2016. They are given in good faith to represent mill performance and do not constitute contractual undertaking. Values in the table are mean (indicative) values from pulp testing with Voith-Sulzer refining, using standard water. Specific Edge Load 2,5 J/m, ISO testing methods (H 50%, 23 °C, 60 gr/m<sup>2</sup> sheets).

## UPM Conifer Thin

### Bale marking

	UPM Conifer Thin	NBSK	
	8 P	54504	FIN
	↓	↓	↓
	Mill No	Product	Lot No

### Standard bale



### Sheets

<b>Size:</b>	84 x 73 cm
<b>Grammage:</b>	850 g/m <sup>2</sup>

### Standard bale

<b>Size:</b>	L =	88 cm
	W =	76 cm
	H =	40 cm

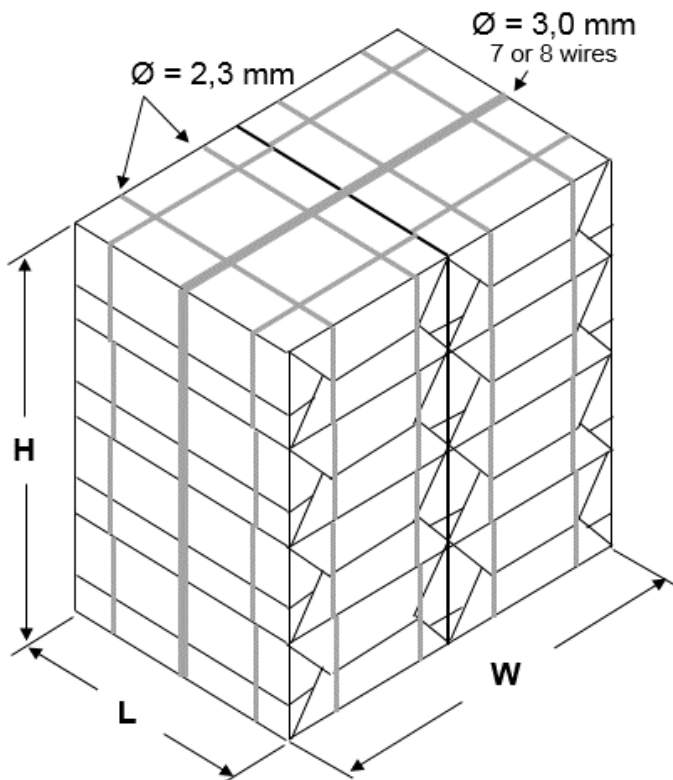
**Weight:** 250 kg

**Wrapping:** Pulp sheets (unwrapped on demand)

**Markings:** Blue watersoluble inkjet printing.  
Country, company name, product code and bale number on both sides.

**Wires:** 4 galvanized wires,  
diameter 2,3 mm.

### Standard bale unit configuration



### Standard bale unit configuration

#### Standard bale units

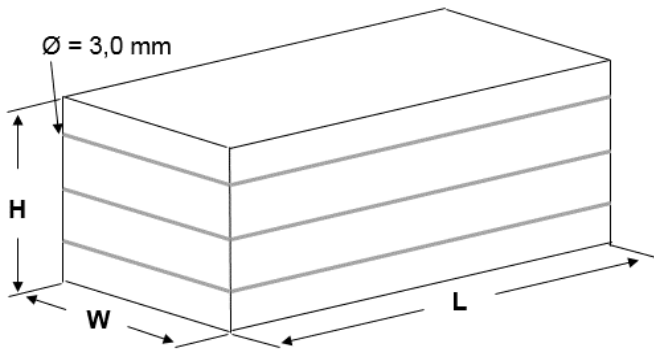
<b>Size:</b>	L =	88 cm
	W =	152 cm
	H =	160 cm

**Weight:** 2000 kg (8 x 250 kg)

**Wires:** 7 or 8 galvanized wires,  
diameter 3,0 mm

## UPM Conifer Thin

### Big bale



#### Sheets

<b>Size:</b>	84 x 73 cm
<b>Grammage:</b>	850 g/m <sup>2</sup>

#### Big bale

<b>Size:</b>	L =	160 cm
	W =	86 cm
	H =	75cm

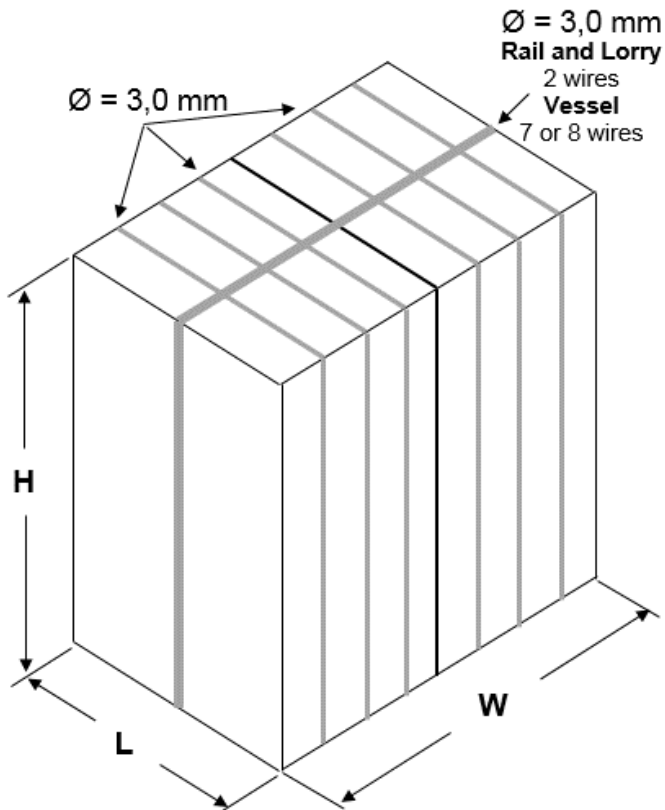
**Weight:** 1000 kg

**Wrapping:** No wrapping

**Markings:** Blue watersoluble inkjet printing.  
Country, company name, product code and bale number on both sides.

**Wires:** 3 galvanized wires,  
diameter 3,0 mm

### Big bale unit configuration



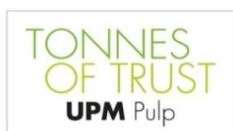
#### Big bale unit configuration

##### Big bale units

<b>Size:</b>	L =	86 cm
	W =	150 cm
	H =	160cm

**Weight:** 2000 kg (2 x 1000 kg)

**Wires:** Vessel 7 or 8 galvanized wires, Rail and Lorry 2 wires  
diameter 3,0 mm



**UPM-Kymmene Corporation**  
Alvar Aallon katu 1  
PO Box 380  
FI-00101 Helsinki, Finland

#### Contact information:

Niklas Keskinen Product Manager, tel. +358 40 585 2781  
niklas.keskinen@upm.com  
www.upmpulp.com