

TECHNICAL DATA SHEET

UPM Euca

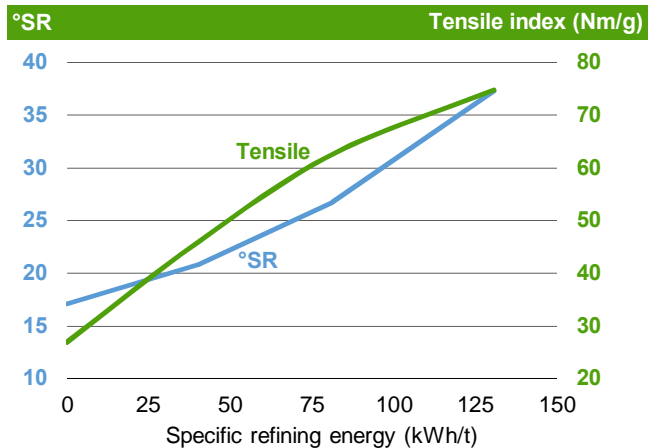
ECF Bleached Eucalyptus Kraft Pulp
Pulp mill: UPM Fray Bentos

Date of issue: 21.11.2017

PULP CHARACTERISTICS

	Typical value	Spec
Brightness, ISO % ISO 2470-1; ISO 3688 handsheet	90	≥ 89
Impurities, mm ² /kg ISO 5350	1	
Extractives SCAN-CM 49:93	0,1	≤ 0,2
Ash content ISO 1762	0,5	≤ 0,7
pH ISO 6588	6	5,0-7,0

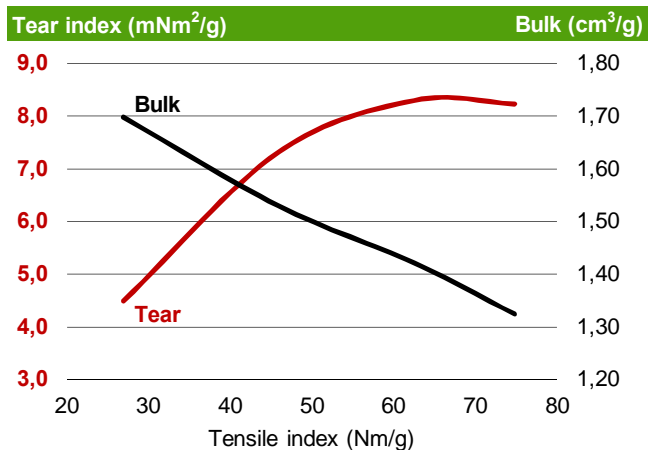
REFINABILITY



FIBRE CHARACTERISTICS

	Typical value
Fibre length, mm Metso FS5	0,9
Coarseness, mg/m Metso FS5	0,06

TEAR AND BULK AT TENSILE



RAW MATERIAL

Hardwood

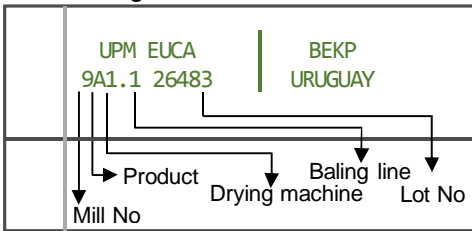
Eucalyptus 100%
E. grandis, dunnii, globulus, maidenii

Specific Refining Energy	CSF	SR number	Tensile index	Stiffness index	Tear index	Scott Bond	Bulk	Opacity	Air res. Gurley
kWh/t	ml		Nm/g	Nm/g	mNm ² /g	J/m ²	cm ³ /g	%	s
0	562	17	27	4,4	4,5	106	1,70	78,5	2,1
40	493	21	46	5,8	7,3	224	1,53	76,2	4,0
81	399	27	63	6,8	8,3	385	1,42	74,4	10,5
131	289	37	75	7,4	8,2	660	1,32	72,6	38,3
32	507	20	42	5,5	6,7	200	1,56	76,7	3,5
69	426	25	58	6	8	339	1,45	74,9	8,5
97	365	30	66	7	8	471	1,39	73,9	19
50	469	22	50	6,0	7,6	264	1,50	75,7	5,5
76	411	26	60	6,6	8,1	365	1,44	74,6	9,9
110	333	33	70	7,1	8,2	552	1,36	73,4	26,5

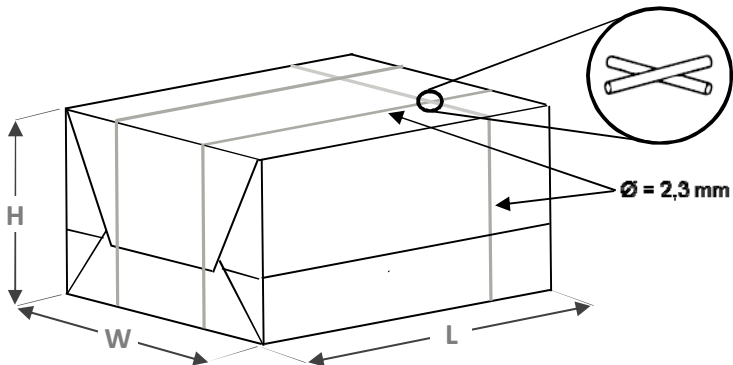
Typical values are averages from all mill quality control samples during 2016. They are given in good faith to represent mill performance and do not constitute contractual undertaking. Values in the table are mean (indicative) values from pulp testing with Voith-Sulzer refining, using standard water. Specific Edge Load 0,5 J/m, ISO testing methods (H 50%, 23 °C, 60 g/m² sheets).

UPM Euca

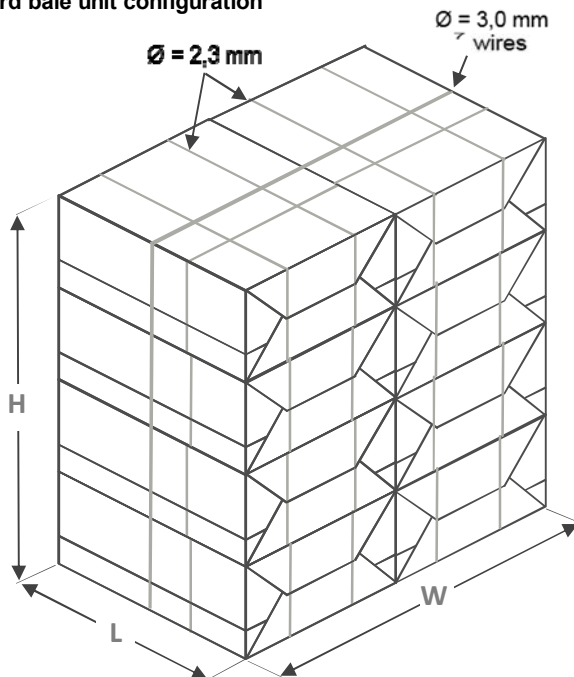
Bale marking



Standard Bale



Standard bale unit configuration



Sheets

Size:	92 x 67 cm
Grammage:	1000 - 1200 g/m ²

Standard bale

Size:	L = 96 cm
	W = 69 cm
	H = 45 cm
Weight:	250 kg
Wrapping:	Pulp sheets (unwrapped on demand)
Markings:	Green watersoluble inkjet printing. Country, company name, product code and bale number on both sides, on every second bale.
Wires:	3 galvanized wires, diameter 2,3 mm.

Standard unit

Size:	L = 96 cm
	W = 139 cm
	H = 180 cm
Weight:	2000 kg (8x250 kg)
Wires:	7 galvanized wires, diameter 3,0 mm



UPM-Kymmene Corporation

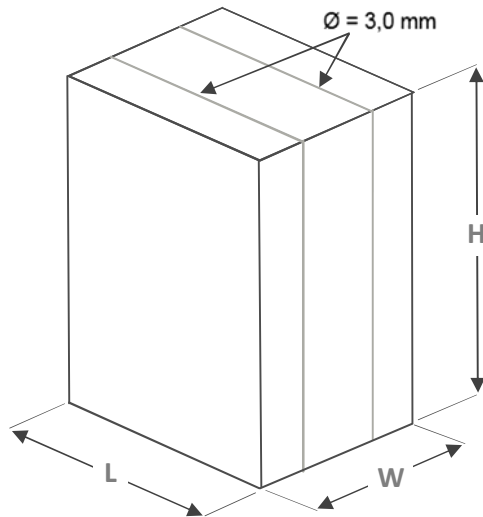
Alvar Aallon katu 1
PO Box 380
FI-00101 Helsinki, Finland

Contact information:

Roberto Mirande, Product Manager, tel. +4915154608385
roberto.mirande@upm.com
www.upmpulp.com

UPM Euca

Big bale



Sheets

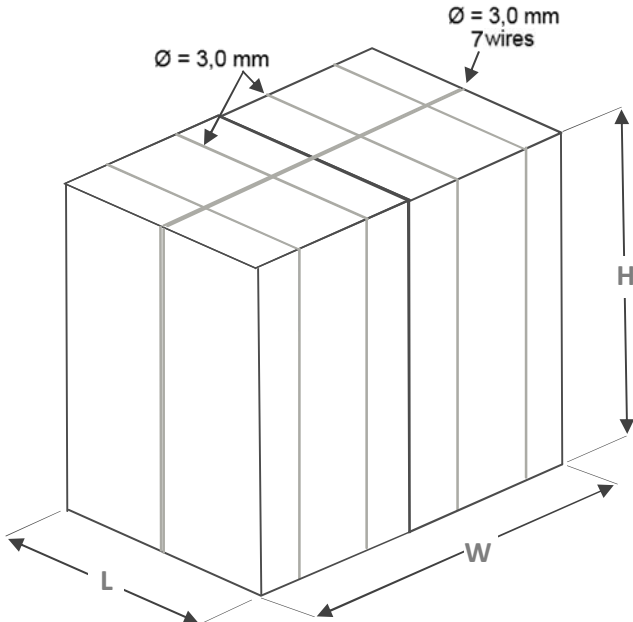
Size:	92 x 67 cm
Grammage:	1000 - 1200 g/m ²

Big bale

Size:	L = 94 cm
	W = 68 cm
	H = 180 cm
Weight:	1000 kg
Wrapping:	No wrapping
Markings:	Green watersoluble inkjet printing. Country, company name, product code and bale number on both sides.

Wires:	2 galvanized wires, diameter 3,0 mm
---------------	----------------------------------------

Big bale unit configuration



Big bale unit

Size:	L = 94 cm
	W = 137 cm
	H = 180 cm
Weight:	2000 kg (2x1000 kg)
Wires:	7 galvanized wires, diameter 3,0 mm



UPM-Kymmene Corporation

Alvar Aallon katu 1
PO Box 380
FI-00101 Helsinki, Finland

Contact information:

Roberto Mirande, Product Manager, tel. +4915154608385
roberto.mirande@upm.com
www.upmpulp.com